

IT'S BLUE
IT'S GREEN
IT'S FIRAD

Release 09 | 2024



FIRAD[®]

PERKINS
Caterpillar C6.6
CATALOGUE

**OEM CODES AND PARTS NUMBERS ARE
GIVEN FOR REFERENCE PURPOSE ONLY**

OEM CODES AND PARTS NUMBERS ARE GIVEN FOR REFERENCE PURPOSE ONLY



ABBREVIATIONS

- Holes

In this section are reported the information about how many micro holes there are and their diameter, in this following way: <N.microholes> x <Diameter microholes>

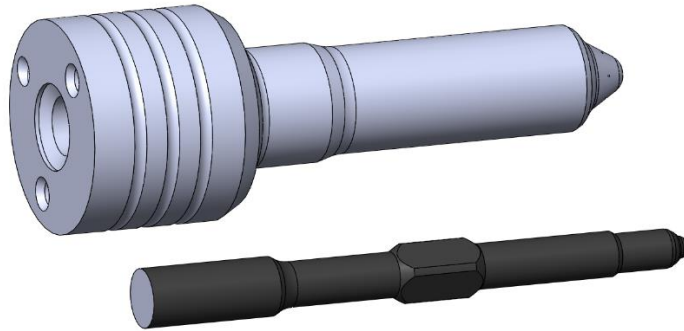
- Angles

In this section are reported the information related to nozzle and micro holes angular position

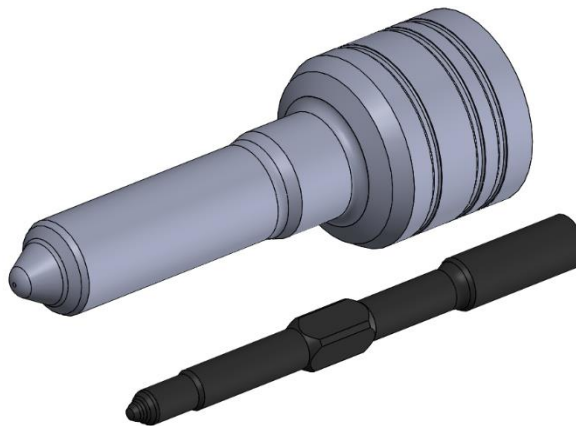
Engine Angle	Spray Angle
A	B



OEM CODES AND PARTS NUMBERS ARE GIVEN FOR REFERENCE PURPOSE ONLY



FIRAD code	Engine Angle	Spray Angle	CAT® Injector Part Number	Perkins® Injector Part Number	Stamping	Engine	Holes
C500F	0°	126°		2645A745	050F379458	C6.6	6 x 0,135
C500E	0°	130°	10R-7671 320-0677 10R-7938 321-3600 10R-7672 320-0680 306-9380	2645A746 2645A747 2645A753	248T359461	C6.6 C4.4 1104D-E44TA 1106D-E66TA	6 x 0,160
C500H	0°	130°		2645A751	270T799467 102F679467	C6.6	6 x 0,205
C500L	0°	130°	320-0690 10R-7673	2645A749	182E359464 294F389464	C6.6	6 x 0,185



OEM CODES AND PARTS NUMBERS ARE GIVEN FOR REFERENCE PURPOSE ONLY

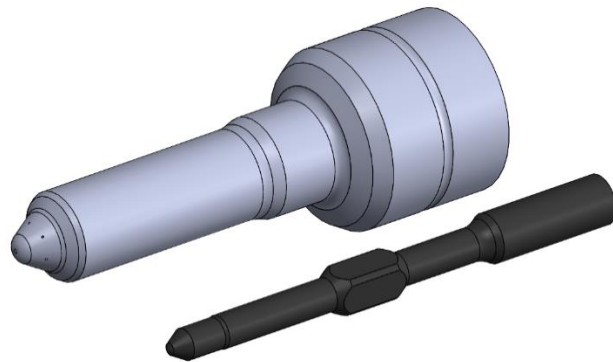


FIRAD®

LET THE FUTURE COME



FIRAD code	Engine Angle	Spray Angle	CAT® Injector Part Number	Perkins® Injector Part Number	Stamping	Engine	Holes
C500B	0°	135°	10R-7675 326-4700 095000-3200		239S379092	C6.6	6 x 0,155
C500C	0°	135°				C6.6	6 x 0,150
C500M	0°				211T359095	C6.6	6 x 0,165



FIRAD code	Engine Angle	Spray Angle	CAT® Injector Part Number	Perkins® Injector Part Number	Stamping	Engine	Holes
C500A	0°	130°			206T380694		6 x 0,165
C500D	0°	130°30'					6 x 0,185
C500N	0°	130°		2645A742	157F670259	C6.6	6 x 0,160

OEM CODES AND PARTS NUMBERS ARE GIVEN FOR REFERENCE PURPOSE ONLY