

IT'S BLUE
IT'S GREEN
IT'S FIRAD

Release 09 | 2024

The logo features the Ford emblem (a shield with 'FD' inside) to the left of the word 'FIRAD' in a bold, white, sans-serif font. The background is a dark blue field with glowing green and blue particle trails that suggest motion and energy.

FIRAD®

Navistar® HEUI engines
Ford Powerstroke INJECTOR
CATALOGUE

**OEM CODES AND PARTS NUMBERS ARE
GIVEN FOR REFERENCE PURPOSE ONLY**

OEM CODES AND PARTS NUMBERS ARE GIVEN FOR REFERENCE PURPOSE ONLY



ABBREVIATIONS

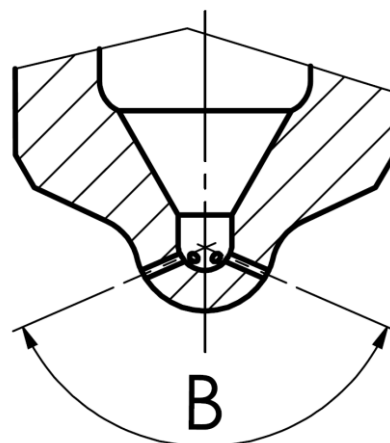
- Holes

In this section are reported the information about how many micro holes there are and their diameter, in this following way: <N.microholes> x <Diameter microholes>

- Angles

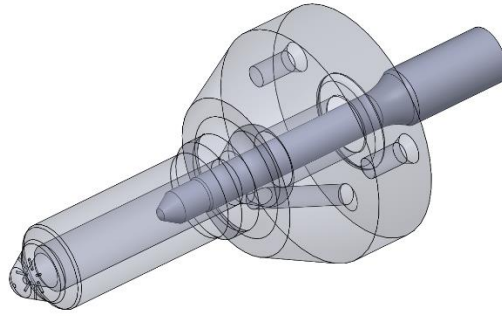
In this section are reported the information related to nozzle and micro holes angular position

Engine Angle	Spray Angle
A	B



OEM CODES AND PARTS NUMBERS ARE GIVEN FOR REFERENCE PURPOSE ONLY

Ford Powerstroke 7.3 Nozzle



FIRAD code	Engine Angle	Spray Angle	OEM Part Number	Ford Injector	Navistar Injector	Holes
NS0AA F	7°30'	152°	AP63800AA	F81Z9E527DRM F4TZ9VE527AAR M F7TZ9E527ARM	1822800C95 1816187C3 1822801C98 1822801C99 1821836C3	7 x 0,165
NS9BE F	10°	142°	AP63809BE		1829838C94 1829926C2 1829839C93 1829839C94 1829837C2	5 x 0,220
NS1BI F	10°30'	145°	AP63811BI		1830740C92 1830560C2 1830561C92 1830562C2 1830741C92 1830741C93	6 x 0,170
NS2BJ F	10°30'	145°	AP63812BJ		1830570C92 1830571C2 1830572C92 & 93 1830573C2	6 x 0,190
NS5BK F	6°	146°	DPE41026/31			6 x 0,225
NS6BN F	9°	148°	8991056		1830691C1 1830692C91 1830693C1 1830694C91	6 x 0,205

OEM CODES AND PARTS NUMBERS ARE GIVEN FOR REFERENCE PURPOSE ONLY



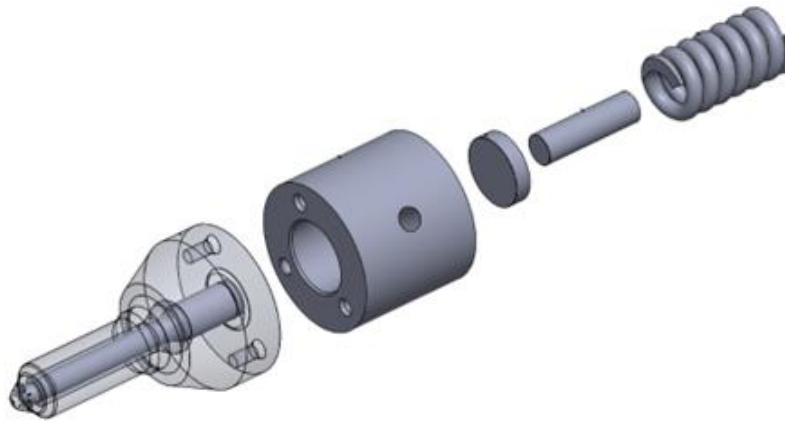
FIRAD®

LET THE FUTURE COME



FIRAD code	Engine Angle	Spray Angle	OEM Part Number	Ford Injector	Navistar Injector	Holes
					2593597C91	
NS7BD F	11°	146°	8991055			5 x 0,235
NS3BC F	10°	142°	8991035			5 x 0,220

Ford Powerstroke 7.3 Nozzle kit



FIRAD code	Firad Nozzle	OEM Part Number	Ford Injector	Navistar Injector
FD0000AA	NS0AA F	AP63800AA	F81Z9E527DRM F4TZ9VE527AARM F7TZ9E527ARM	1822800C95 1816187C3 1822801C98 1822801C99 1821836C3
FD000BK	NS5BK F	DPE41026/31		
FD0000BE	NS9BE F	AP63809BE		1829838C94 1829926C2 1829839C93 1829839C94 1829837C2
FD0000BI	NS1BI F	AP63811BI		1830740C92 1830560C2 1830561C92 1830562C2 1830741C92

OEM CODES AND PARTS NUMBERS ARE GIVEN FOR REFERENCE PURPOSE ONLY



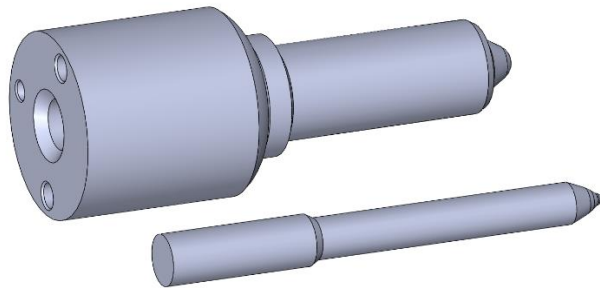
FIRAD®

LET THE FUTURE COME



				1830741C93
FD0000BJ	NS2BJ F	AP63812BJ		1830570C92 1830571C2 1830572C92 & 93 1830573C2
FD0000BN	NS6BN F	8991056		1830691C1 1830692C91 1830693C1 1830694C91 2593597C91
FD0000BD	NS7BD F	8991055		
FD0000BC	NS3BC F	8991035		

Ford Powerstroke 6.0 - 4.5 – G2.8 - G2.9



FIRAD code	Engine Angle	Spray Angle	Stamping	Ford Injector	Navistar Injector	Holes
FD2000	0°	150°	V 0802 P 150	3C3Z-9E527-AE 3C3Z-9E527-ABRM	1843089C91 1845879C91 1843481C94 1843481C95	6 x 0,190
FD3000	0°	144°	V 0803 P 144			7 x 0,195
FD3001	0°	150°	V 0803 P 150		AP66977 1842577C93	7 x 0,170
FD3002	0°	153°	V 805 P 153		AP66918 1848718C92	8 x 0,160

OEM CODES AND PARTS NUMBERS ARE GIVEN FOR REFERENCE PURPOSE ONLY