

IT'S BLUE
IT'S GREEN
IT'S FIRAD

Release 09 | 2024



FIRAD[®]

DETROIT DIESEL
Detroit[®] Diesel 50/60
CATALOGUE

**OEM CODES AND PARTS NUMBERS ARE
GIVEN FOR REFERENCE PURPOSE ONLY**

OEM CODES AND PARTS NUMBERS ARE GIVEN FOR REFERENCE PURPOSE ONLY



ABBREVIATIONS

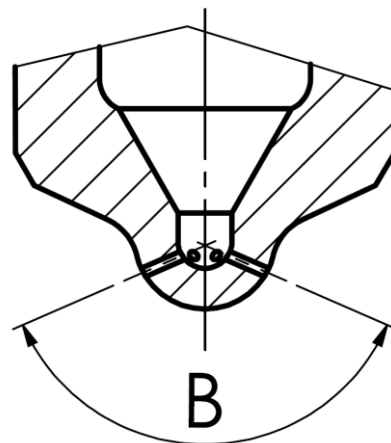
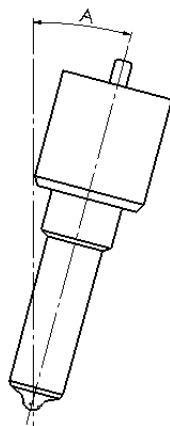
- Holes

In this section are reported the information about how many micro holes there are and their diameter, in this following way: <N.microholes> x <Diameter microholes>

- Angles

In this section are reported the information related to nozzle and micro holes angular position

Engine Angle	Spray Angle
A	B

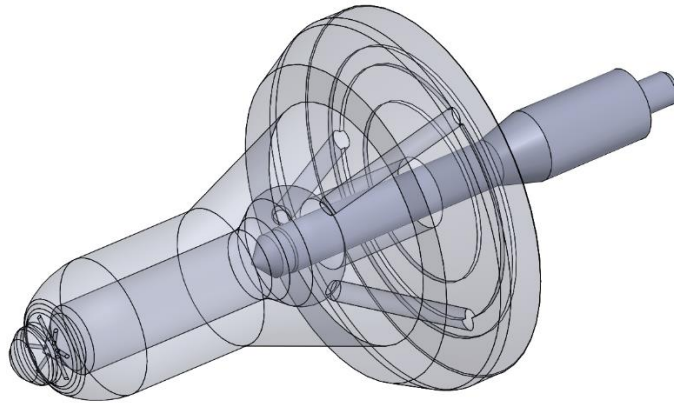


OEM CODES AND PARTS NUMBERS ARE GIVEN FOR REFERENCE PURPOSE ONLY



FIRAD®

LET THE FUTURE COME



FIRAD code	Engine Angle	Spray Angle	Stamping	Injector Part Number	Engine	Holes
018DFD	0°	154°	26211	5235915 5237466	1,27L	8 x 0,200
019DFD	0°	156°	26212	5235580 5236978	11,1L	8 x 0,170
020DFD	0°	157°	26213	5235600 5237320 5237650	11,1L 8,50L	9 x 0,200
021DFD	0°	159°	26214	5235935 5235605	11,1L 12,7L	9 x 0,165
022DFD	0°	161°	26215	5234870 5234940	11,1L 12,7L	9 x 0,200
023DFD	0°	159°	26216	5234795 5234945 5234970 5235695	12,7L 11,1L	9 x 0,210
024DFD	0°	159°	26217	5234785	12,7L	9 x 0,200
025DFD	0°	158°	26218	5234865	11,1L	9 x 0,200
026DFD	0°	153°	26219			9 x 0,215
027DFD	0°	154°	4991525	5235550 5236977 5235575	8,50L 11,1L	8 x 0,190
028DFD	0°	154°	752-B4-54	5236347 5236980 5237045		8 x 0,215

OEM CODES AND PARTS NUMBERS ARE GIVEN FOR REFERENCE PURPOSE ONLY