

IT'S BLUE
IT'S GREEN
IT'S FIRAD

Release 09 | 2024



CUMMINS -SCANIA
Cummins QSK, ISX15, Scania XPI, DC
CATALOGUE

**OEM CODES AND PARTS NUMBERS ARE
GIVEN FOR REFERENCE PURPOSE ONLY**

OEM CODES AND PARTS NUMBERS ARE GIVEN FOR REFERENCE PURPOSE ONLY



ABBREVIATIONS

- Holes

In this section are reported the information about how many micro holes there are and their diameter, in this following way: <N.microholes> x <Diameter microholes>

- Angles

In this section are reported the information related to nozzle and micro holes angular position

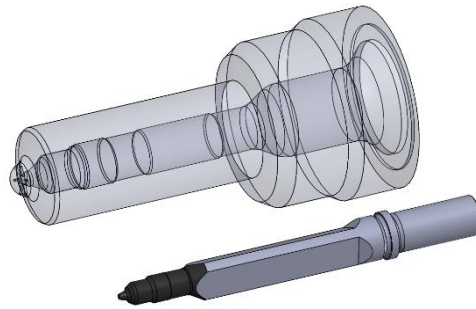
Engine Angle	Spray Angle
A	B



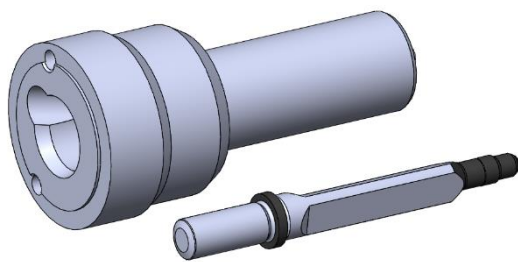
OEM CODES AND PARTS NUMBERS ARE GIVEN FOR REFERENCE PURPOSE ONLY



Cummins QSK Nozzles



FIRAD code	Engine Angle	Spray Angle	Cummins® Part Number	Bosch® OEM Part Number	Stamping	Engines	Holes
QKFDA 00BD	0°	148°	2867147	F00B J00 000 F00B J00 001 Y 431 K05 392	F00BD00000	QSK	6 x 0,265
QKFDA 00BD3	0°	139°	4964170	F00B LOJ 019 F00B LOJ 020 0 986 435 612 Y 431 K05 420	F00BD00003	QSK 19	6 x 0,270



FIRAD code	Engine Angle	Spray Angle	L'Orange® Part Number	Bosch® OEM Part Number	Stamping	Engines	Holes
QKFDA 00265671	0°	149°			B 433265671	QSK	6 x 0,260
QKFDA 00BD4	0°	131°	X51107500005 X51107500011	F00B LOJ 004 F00B LOJ 005 F00B LOJ 011 F00B LOJ 012 Y 431 K05 350	F00BD00004	MTU	8 x 0,270

OEM CODES AND PARTS NUMBERS ARE GIVEN FOR REFERENCE PURPOSE ONLY

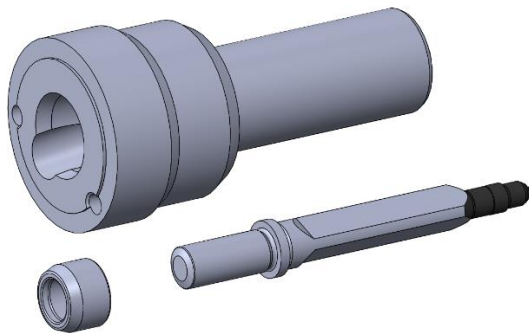


FIRAD®

LET THE FUTURE COME



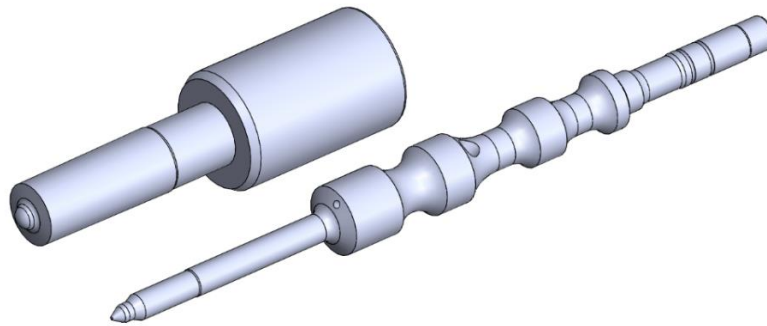
				Y 431 K05 351 Y 431 K05 210			
QKFDA26 5700	0°	133°	X00040691	Y431K05210	B433265700	MTU	8 x 0,265



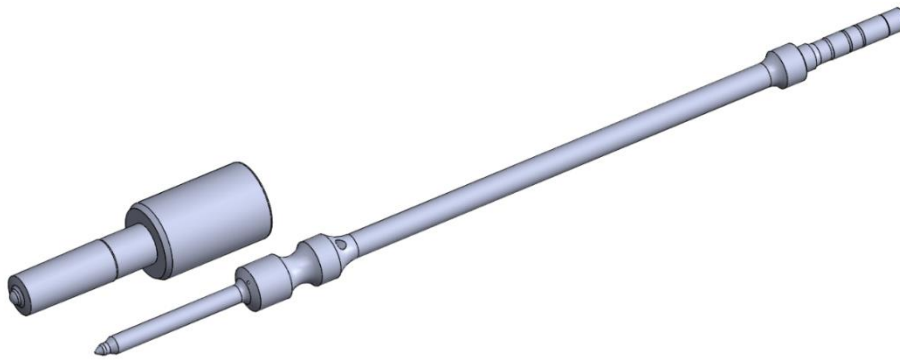
FIRAD code	Engine Angle	Spray Angle	Cummins® Part Number	Bosch® OEM Part Number	Stamping	Engines	Holes
QKFDA 00265191	0°	145°		Y 431 K05 194 Y 431 K05 298	B 433265191	Iveco Vector	8 x 0,245

OEM CODES AND PARTS NUMBERS ARE GIVEN FOR REFERENCE PURPOSE ONLY

Cummins ISC, ISL, QSL, QSC, ISX, Scania XPI Nozzles



FIRAD code	Engine Angle	Spray Angle	OE Injector Part Number	Stamping	Engines	Holes
145P4928562	0°	145°	2872127 4954927	P4928562	ISC, ISL, QSL, QSC	7 x 0,180



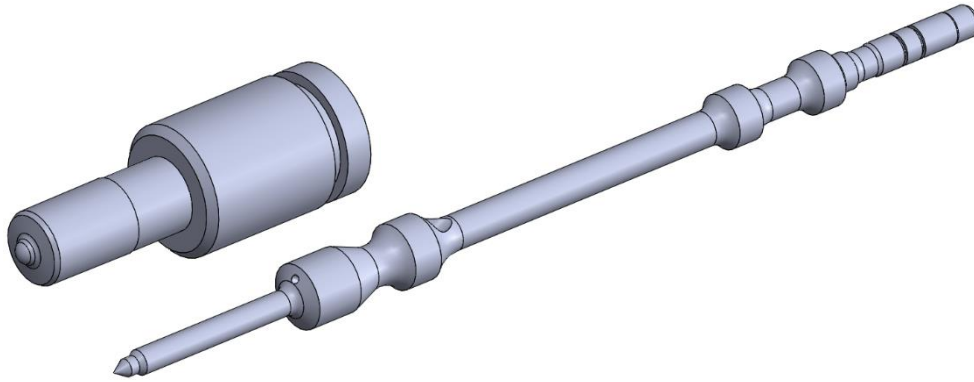
FIRAD code	Engine Angle	Spray Angle	OE Injector Part Number	Stamping	Engines	Holes
146P4307083	0°	146°		P4307083FSW	ISX	8 x 0,190

OEM CODES AND PARTS NUMBERS ARE GIVEN FOR REFERENCE PURPOSE ONLY

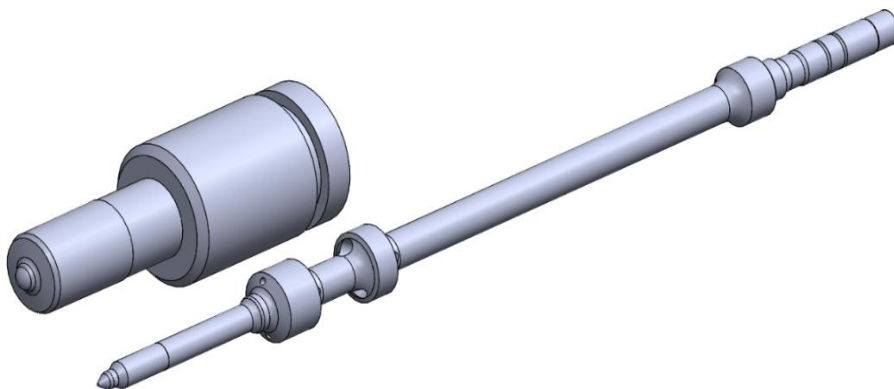


FIRAD®

LET THE FUTURE COME



FIRAD code	Engine Angle	Spray Angle	OE Injector Part Number	Reman Injector Part Number	Stamping	Engines	Holes
148P2872320	0°	148°	2031835	575176	P2872320	DC9 DC13 DC16	8 x 0,160
148P2872321	0°	148°	2086663	575177	P2872321	DC9 DC13 DC16	8 x 0,175
148P4954707	0°	148°	1881564		P4954707	DC9 DC13 DC16	8 x 0,160
145P4984850	0°	145°	2872405	5579417	P4984850	ISX 15	8 x 0,185



OEM CODES AND PARTS NUMBERS ARE GIVEN FOR REFERENCE PURPOSE ONLY

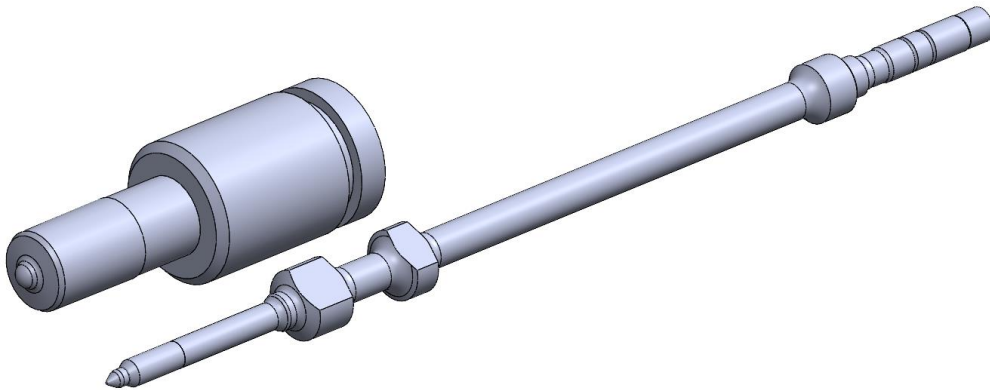


FIRAD®

LET THE FUTURE COME



FIRAD code	Engine Angle	Spray Angle	OE Injector Part Number	Reman Injector Part Number	Stamping	Engines	Holes
146P2897551	0°	146°	2057401	574423	P2897551	DC9 DC13 DC16	9 x 0,185



FIRAD code	Engine Angle	Spray Angle	OE Injector Part Number	Reman Injector Part Number	Stamping	Engines	Holes
146P4384025	0°	146°	4984369		P4384025	DC13	10 x 0,22

OEM CODES AND PARTS NUMBERS ARE GIVEN FOR REFERENCE PURPOSE ONLY