

IT'S BLUE
IT'S GREEN
IT'S FIRAD

Release 09 | 2024



FIRAD

CUMMINS - IVECO
Cummins QSK 19/38/50/60
Iveco Vector
CATALOGUE

**OEM CODES AND PARTS NUMBERS ARE
GIVEN FOR REFERENCE PURPOSE ONLY**

OEM CODES AND PARTS NUMBERS ARE GIVEN FOR REFERENCE PURPOSE ONLY



ABBREVIATIONS

- Holes

In this section are reported the information about how many micro holes there are and their diameter, in this following way: <N.microholes> x <Diameter microholes>

- Angles

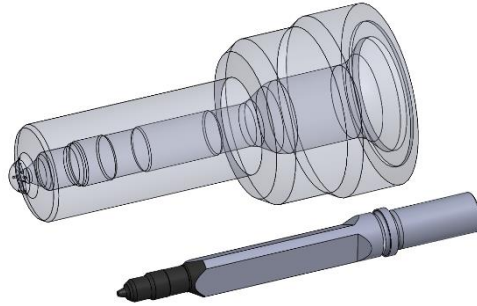
In this section are reported the information related to nozzle and micro holes angular position

Engine Angle	Spray Angle
A	B

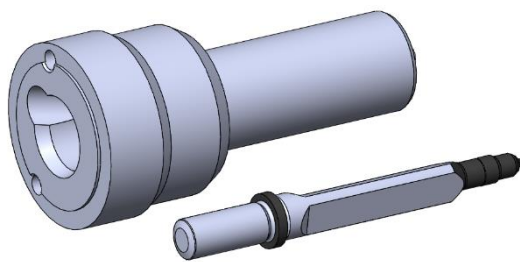


OEM CODES AND PARTS NUMBERS ARE GIVEN FOR REFERENCE PURPOSE ONLY

Cummins QSK Nozzles

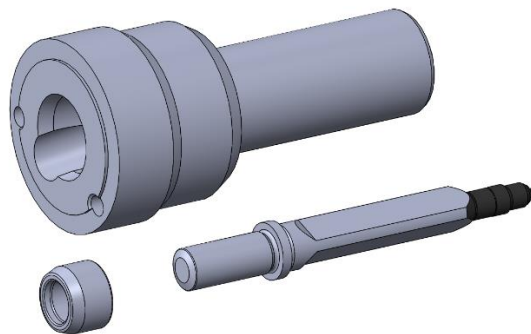


FIRAD code	Engine Angle	Spray Angle	Cummins® Part Number	Bosch® OEM Part Number	Stamping	Engines	Holes
QKFDA 00BD	0°	148°	2867147	F00B J00 000 F00B J00 001 Y 431 K05 392	F00BD00000	QSK 19/38/50 /60	6 x 0,265
QKFDA 00BD3	0°	139°	4964170	F00B LOJ 019 F00B LOJ 020 0 986 435 612 Y 431 K05 420	F00BD00003	QSK 19	6 x 0,270



FIRAD code	Engine Angle	Spray Angle	L'Orange® Part Number	Bosch® OEM Part Number	Stamping	Engines	Holes
QKFDA 00265671	0°	149°			B 433265671	QSK	6 x 0,260

OEM CODES AND PARTS NUMBERS ARE GIVEN FOR REFERENCE PURPOSE ONLY



FIRAD code	Engine Angle	Spray Angle	Cummins® Part Number	Bosch® OEM Part Number	Stamping	Engines	Holes
QKFDA 00265191	0°	145°		Y 431 K05 194 Y 431 K05 298	B 433265191	Iveco Vector	8 x 0,245

OEM CODES AND PARTS NUMBERS ARE GIVEN FOR REFERENCE PURPOSE ONLY