

IT'S BLUE  
IT'S GREEN  
IT'S FIRAD

Release 09 | 2024



**FIRAD®**

CATERPILLAR C175 – C9.3  
C27 -C32 INJECTOR  
CATALOGUE

**OEM CODES AND PARTS NUMBERS ARE  
GIVEN FOR REFERENCE PURPOSE ONLY**

OEM CODES AND PARTS NUMBERS ARE GIVEN FOR REFERENCE PURPOSE ONLY



## ABBREVIATIONS

### - Holes

In this section are reported the information about how many micro holes there are and their diameter, in this following way: <N.microholes> x <Diameter microholes>

### - Angles

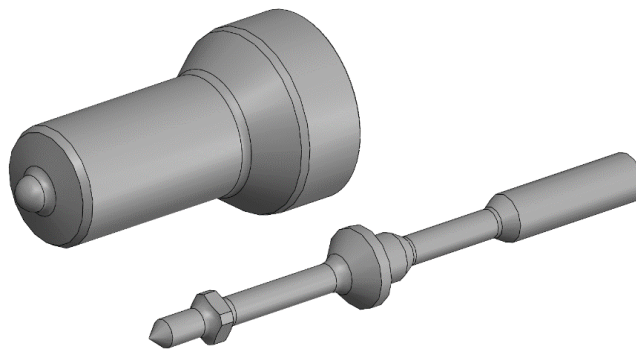
In this section are reported the information related to nozzle and micro holes angular position

Engine Angle	Spray Angle
A	B



OEM CODES AND PARTS NUMBERS ARE GIVEN FOR REFERENCE PURPOSE ONLY

## Caterpillar Nozzles Special Application Caterpillar C175



FIRAD code	Engine Angle	Spray Angle	CAT® Injector Part Number	Stamping	Engines	Holes
C700A	0°	129°30'	331-5895 =10R-8998 443-9454=20R-5566		C175-16 793F 797F	5 x 0,375

## Caterpillar C9.3



FIRAD code	Engine Angle	Spray Angle	CAT® Injector Part Number	Stamping	Engines	Holes
C701A	0°	130°	456-3589=20R-5073	296T589850	C9.3	6 x 0,190
C701B	0°	130°	456-3493=20R-5036	215F500499	C9.3	5 x 0,205

OEM CODES AND PARTS NUMBERS ARE GIVEN FOR REFERENCE PURPOSE ONLY

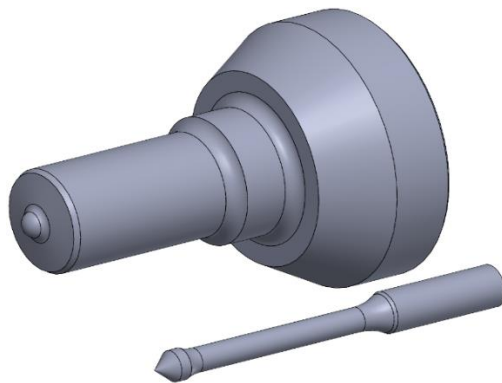


# FIRAD®

## LET THE FUTURE COME



FIRAD code	Engine Angle	Spray Angle	CAT® Injector Part Number	Stamping	Engines	Holes
C701C	0°	126°			C9.3	5 x 0,225



FIRAD code	Engine Angle	Spray Angle	CAT® Injector Part Number	Stamping	Engines	Holes
C710A	0°	131°	10R-6162=294-3002	13817241 319S247241 095F757241	C27 – C32	6 x 0,200
C710B	0°	130°	10R-6163=294-3005	122F752064 018S752064	C27 – C32	6 x 0,230
C710C	0°	130°	20R-1308=350-4050	046F757267	C27 – C32	6 x 0,220

OEM CODES AND PARTS NUMBERS ARE GIVEN FOR REFERENCE PURPOSE ONLY