

IT'S BLUE
IT'S GREEN
IT'S FIRAD

Release 09 | 2024



FIRAD[®]

**BOSCH PIEZO CRIN4-21
4 PIN INJECTORS
CATALOGUE**



FIRAD[®]

LET THE FUTURE COME



**OEM CODES AND PARTS NUMBERS ARE
GIVEN FOR REFERENCE PURPOSE ONLY**

OEM CODES AND PARTS NUMBERS ARE GIVEN FOR REFERENCE PURPOSE ONLY



ABBREVIATIONS

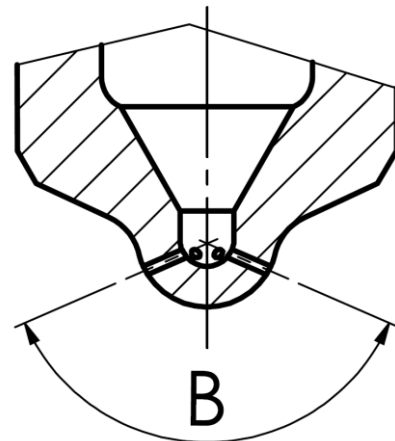
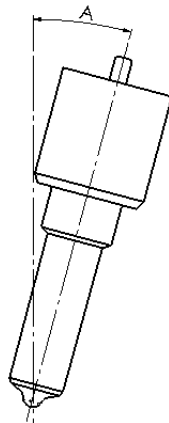
- Holes

In this section are reported the information about how many micro holes there are and their diameter, in this following way: <N.microholes> x <Diameter microholes>

- Angles

In this section are reported the information related to nozzle and micro holes angular position

Engine Angle	Spray Angle
A	B

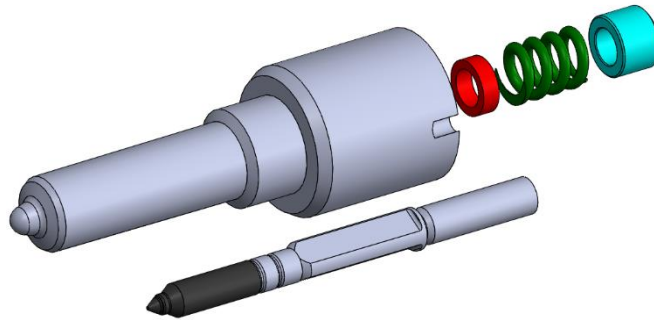


OEM CODES AND PARTS NUMBERS ARE GIVEN FOR REFERENCE PURPOSE ONLY



FIRAD®

LET THE FUTURE COME



FIRAD code	BOSCH® Stamping	BOSCH® Injector Code	BOSCH® Inj. Remanufactured Code	OE code	Vehicle/ Engine
PEF 38	F00VX50038	0 445 120 104	0 986 435 539	MERCEDES 472 070 00 87 MERCEDES 472 070 03 87 MERCEDES 472 070 05 87 MERCEDES 472 070 07 87 MERCEDES A 472 070 08 87 MERCEDES A 472 070 00 87 MERCEDES A 472 070 03 87 MERCEDES A 472 070 05 87 MERCEDES A 472 070 07 87 MERCEDES 472 070 08 87	Mercedes
		0 445 120 207	0 986 435 540		
PEF 77	F00VX50077	0 445 120 287 0 445 120 288	0 986 435 624	MERCEDES 471 070 05 87 MERCEDES 471 070 05 87 0080 MERCEDES A 471 070 05 87 MERCEDES A 471 070 05 87 0080	Mercedes ACTROS
PEF 83	F00VX50083	0 445 120 302 0445 120 303	0 986 435 646	MERCEDES 472 070 10 87 MERCEDES 472 070 11 87 MERCEDES 472 070 12 87 MERCEDES A 472 070 10 87 MERCEDES A 472 070 11 87 MERCEDES A 472 070 12 87 MERCEDES RA4600701387 MERCEDES RA4720701187	Mercedes AROCS Mercedes ANTOS
PEF 376	B437176376	0 445 120 298 0 445 120 299	0 986 435 622	MERCEDES 470 070 00 87 MERCEDES 470 070 00 87 0080 MERCEDES A 470 070 00 87 0080 MERCEDES A 470 070 00 87	MERCEDES Actros – CapaCity – Citaro – Conecto - Integro

OEM CODES AND PARTS NUMBERS ARE GIVEN FOR REFERENCE PURPOSE ONLY

Bosch piezoelectric nozzle geometric features

FIRAD code	BOSCH® Stamping	Engine angle	Spray angle	Holes
PEF 38	F00VX50038	0°	141°	6 x 0,195
PEF 77	F00VX50077	0°	150°	8 x 0,190
PEF 83	F00VX50083	0°	145°	7 x 0,210
PEF 376	B437176376	0°	146°	7 x 0,195

OEM CODES AND PARTS NUMBERS ARE GIVEN FOR REFERENCE PURPOSE ONLY