

IT'S BLUE  
IT'S GREEN  
IT'S FIRAD

Release 09 | 2024



**FIRAD**<sup>®</sup>

BOSCH CRIN18  
2 PIN INJECTOR 2500 Bar  
CATALOGUE



**FIRAD**<sup>®</sup>

LET THE FUTURE COME



**OEM CODES AND PARTS NUMBERS ARE  
GIVEN FOR REFERENCE PURPOSE ONLY**

OEM CODES AND PARTS NUMBERS ARE GIVEN FOR REFERENCE PURPOSE ONLY



## ABBREVIATIONS

### - Holes

In this section are reported the information about how many micro holes there are and their diameter, in this following way: <N.microholes> x <Diameter microholes>

### - Angles

In this section are reported the information related to nozzle and micro holes angular position

Engine Angle	Spray Angle
A	B

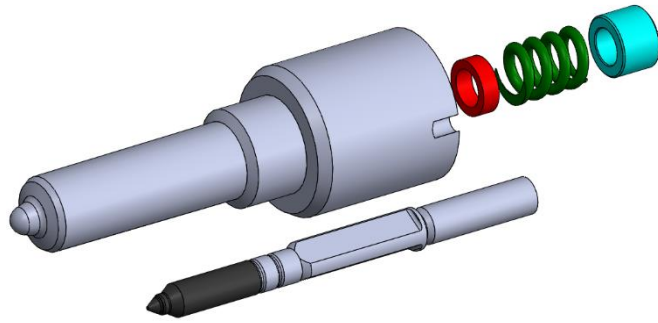


OEM CODES AND PARTS NUMBERS ARE GIVEN FOR REFERENCE PURPOSE ONLY



# FIRAD®

LET THE FUTURE COME



FIRAD code	BOSCH® Stamping	BOSCH® Injector Code	BOSCH® Inj. Remanufactured Code	OE code	Vehicle/ Engine
PEF 192	F00VX70192	0 445 124 056		MAN 51 10100 6202 NEO PLAN 51101006202	MAN Lion's coach MAN TGS TGS II TGS X NEO Cityliner NEO Skyliner NEO Tourliner

OEM CODES AND PARTS NUMBERS ARE GIVEN FOR REFERENCE PURPOSE ONLY



# FIRAD®

LET THE FUTURE COME



## GEOMETRIC FEATURE

FIRAD code	BOSCH® Stamping	Engine angle	Spray angle	Holes
PEF 192	F00VX70192	0°	146°	12 x 0,185

OEM CODES AND PARTS NUMBERS ARE GIVEN FOR REFERENCE PURPOSE ONLY