

IT'S BLUE
IT'S GREEN
IT'S FIRAD

Release 09 | 2024



FIRAD[®]

BOSCH CRI3
PIEZO INJECTOR
CATALOGUE



FIRAD

LET THE FUTURE COME



**OEM CODES AND PARTS NUMBERS ARE
GIVEN FOR REFERENCE PURPOSE ONLY**

OEM CODES AND PARTS NUMBERS ARE GIVEN FOR REFERENCE PURPOSE ONLY



ABBREVIATIONS

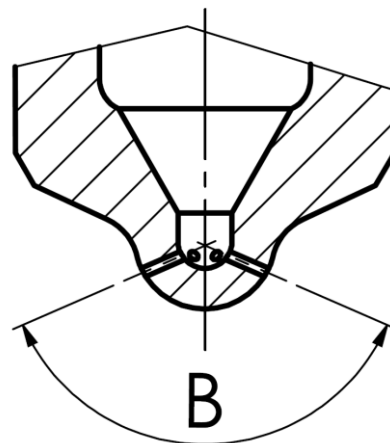
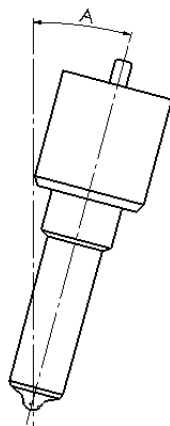
- Holes

In this section are reported the information about how many micro holes there are and their diameter, in this following way: <N.microholes> x <Diameter microholes>

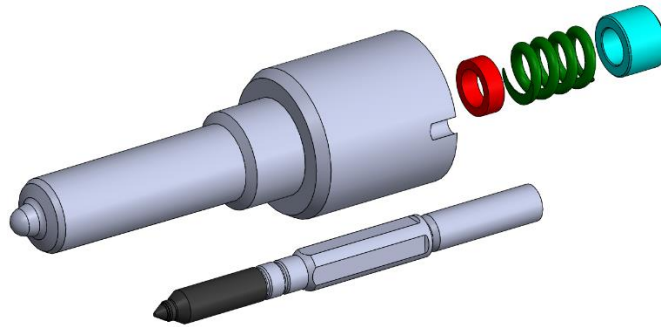
- Angles

In this section are reported the information related to nozzle and micro holes angular position

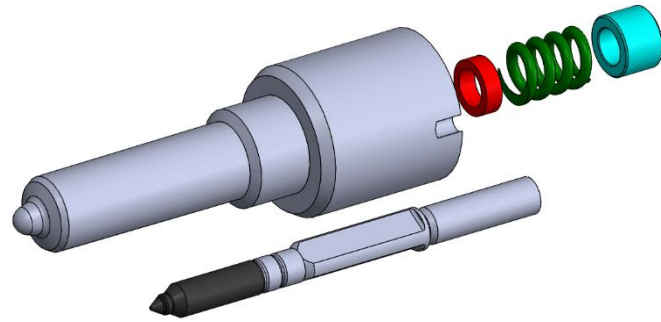
Engine Angle	Spray Angle
A	B



OEM CODES AND PARTS NUMBERS ARE GIVEN FOR REFERENCE PURPOSE ONLY



FIRAD code	BOSCH® Stamping	BOSCH® Injector Code	BOSCH® Inj. Remanufactured Code	OE code	Vehicle/ Engine
PEF05AW	F00VX30005 Superseded by F00VX30022	0445115037 0445115036 0445115051 0445115078	0986435358	VOLKSWAGEN 059130277AB VOLKSWAGEN 059130277AA VOLKSWAGEN 059130277AH VOLKSWAGEN 059130277BD VOLKSWAGEN 059130277Q	AUDI A4-A6-A8-Q7- Phaeton- Touareg
PEF22	F00VX30022 Supersede F00VX30005	0445115037 0445115036 0445115051 0445115078	0986435358	VOLKSWAGEN 059130277AB VOLKSWAGEN 059130277AA VOLKSWAGEN 059130277AH VOLKSWAGEN 059130277BD VOLKSWAGEN 059130277Q	AUDI A4-A6-A8-Q7- Phaeton- Touareg



FIRAD code	BOSCH® Stamping	BOSCH® Injector Code	BOSCH® Inj. Remanufactured Code	OE code	Vehicle/ Engine
PEF02R	F00VX30002	0445115007	0986435350	OPEL 93161695 OPEL 4431258 RENAULT 8200505056 RENAULT 8200804536 RENAULT 166003429R RENAULT 7701476567 RENAULT 7701477158 RENAULT 8200409398 RENAULT 8200340068 VAUXHALL 93161695	Renault (Espace-Laguna 2,0 DCi-Koleos)

OEM CODES AND PARTS NUMBERS ARE GIVEN FOR REFERENCE PURPOSE ONLY

FIRAD code	BOSCH® Stamping	BOSCH® Injector Code	BOSCH® Inj. Remanufactured Code	OE code	Vehicle/ Engine
PEF07	F00VX30007	0445115008 0445115048	0986435354	BMW 13537801940 BMW 13537805685 BMW 7792721 BMW 13537807207 BMW 7785685 BMW 13537807208	BMW 2.0
		0445115070	0986435354	BMW 13537807208 BMW 13537809193 BMW 13537792721	
PEF10	F00VX20010	0445115063 0445115064	0986435355	JEEP 68028405AA CHRYSLER 68028405AA MERCEDES 6420701387 MERCEDES A6420700587 MERCEDES 642070138780 MERCEDES A6420701887 MERCEDES A642070138780 MERCEDES 6420701887 MERCEDES 6420700587 MERCEDES A6420701387	Mercedes-Jeep-Crysler
PEF14	F00VX40014	0445115028 0445115029	0986435352	VOLKSWAGEN 076130277	VW CRAFTER 2,5 TDI
PEF17	F00VX20017	0445115068 0445115069	0986435356	MERCEDES A6460701487 MERCEDES 6460701487	Mercedes - Vito - Sprinter
PEF20	F00VX30020	0445115042 0445115091	0986435362	CITROEN 96592291 LANDROVER LR001325 PEUGEOT 96592291 PEUGEOT PSA 9659229180 ROVER LR001325	Citroen Land Rover
PEF23	F00VX40023(0)	0445115080	0986435353 0986435388	AUDI 059130277BB AUDI 059130277AJ VOLKSWAGEN 059130277AC VOLKSWAGEN 059130277AJ VOLKSWAGEN 059130277M	Audi A4 2.7 TDi Audi A6 2.7 TDi
PEF26	F00VX30026	0445116001	0986435363	BMW 13537797878 BMW 13537809190 BMW 13537797877	BMW 120-320-520 X3 2,0d
PEF29	F00VX40029	0445116034 0445116035	0445116029 0986435369	VOLKSWAGEN 03L130277C	AUDI A3-A4 2.0 TDI / VW GOLF- PASSAT 2.TD1
		0445116029 0445116030	0986435360	AUDI 03L130277 SEAT 03L130277 SKODA 03L130277 VOLKSWAGEN 03L130277	
PEF30	F00VX40030	0445116014 0445116015 0445116022 0445116023	0986435357	AUDI 059130277AR VOLKSWAGEN 059130277AR	VW - Tuareg 3.0 / AUDI A4 - A6 2.7 -3.0 TDI
PEF31	F00VX40031	0445116010 0445116011	0986435367 0986435368	AUDI 03L130277A VOLKSWAGEN 03L130277A	VW Jetta
PEF39	F00VX40039	0445117019 0445117020	0986435412	AUDI 057130277AM PORSCHE 95811012830	VW- Audi (Q7 4,2 TDI)

OEM CODES AND PARTS NUMBERS ARE GIVEN FOR REFERENCE PURPOSE ONLY



FIRAD code	BOSCH® Stamping	BOSCH® Injector Code	BOSCH® Inj. Remanufactured Code	OE code	Vehicle/ Engine
				VOLKSWAGEN 057130277AM	
PEF41	F00VX30041	0445116024	0986435394	BMW 13537805429 BMW 13537805428	BMW 120d- 320d- 330d- 520d- 730d
PEF42	F00VX40042(0)	0445116012 0445116013	0986435403	CITROEN 1980W5 FORD 9X2Q9K546DA JAGUAR 02C2C40577 JAGUAR C2C40577 LANDROVER LR017923 PEUGEOT 1980W5 ROVER LR017923	Citroen C5 -C6 Jaguar XF 3.0 – XJ 3.0 Peugeot 407 3.0
		0445116064		CITROEN 1980W5 FORD 9X2Q9K546DA FORD 9X2Q9K546DB FORD 9X2Q9K546DC JAGUAR 02C2C40577 JAGUAR C2C40577 JAGUAR 02JDE37866 LANDROVER LR095361 LANDROVER LR017923 PEUGEOT 1980W5 ROVER LR01792	
PEF43	F00VX40043	0445116025 0445116026	0986435404	MERCEDES A6420701187 MERCEDES 642070118780 MERCEDES A642070118780 MERCEDES 6420701187	Mercedes E300 / CLS350
PEF45	F00VX40045	0445117008	0986435409	CHEVROLET 12620535 CHEVROLET 19210900 GMC 12620535 GMC 19210900	Chevrolet/GMC
PEF51	F00VX40051	0445117010	0986435410	CHEVROLET 19256590 CHEVROLET 12620534 GMC 12620534 GMC 19256590 OPEL 12620534	Chevrolet/GMC Silverad/Sierra
PEF54	F00VX20054	0445116059	0986435395	DODGE 68226951AA FIAT 580540211 IVECO 58015420211 IVECO 504341488 LANCIA 5801540211 LANCIA L5801540211 PEUGOET 1609848980	Citroen Jumper 3.0 Fiat Ducato Peugeot Boxer 3.0
		0445116019		IVECO 504341488 IVECO 504385557	
PEF55	F00VX40055	0445117017	0986435411	BMW 13537805430	BMW 123d – 535d – 740d BMW X1 – X5 – X6
		0445117001	0986435411	BMW 13537800600 BMW 13537800599 BMW 13537812055	
PEF60	F00VX40060	0445117016	0986435415	FORD BC3Q9K546AD	Ford F250/350

OEM CODES AND PARTS NUMBERS ARE GIVEN FOR REFERENCE PURPOSE ONLY



FIRAD code	BOSCH® Stamping	BOSCH® Injector Code	BOSCH® Inj. Remanufactured Code	OE code	Vehicle/ Engine
		0445117015		FORD BC3Q9K546AB	
		0445117023 0445117024		FORD BC3Q9K546AD FORD BC3Q9K546AB FORD BC3Z-9H529-B FORD BC3Z-9H529-A	
PEF61	F00VX40061	0445116018 0445116017	0986435420	HYUNDAI3 3800-2F000 KIAMOTOR 33800-2F000	Hyundai Grand Santa Fe Hyundai Santa Fe Hyundai Sonata Hyundai ix35 KIA Carnival KIA Sorrento KIA Sportage
PEF63	F00VX30063(0)	0445116037	0986435429 0986435457	LANDROVER AHQ9K546BA LANDROVER LR054298	Ford Kuga 2.2 d Land Rover Freelander 2.2 Land Rover Range Rover 4.4
PEF65	F00VX40065(0)	0445116039 0445116072	0986435422	AUDI 059130277CC AUDI 059130277EH VOLKSWAGEN 059130277CC VOLKSWAGEN 059130277EH	Audi A4 – A5 – A6 – A7 – A8 Audi Q7
PEF66	F00VX40066(0)	0445117021 0445117022	0986435413	AUDI 059130277CD AUDI 059130277EJ VOLKSWAGEN 059130277CD VOLKSWAGEN 059130277EJ	Audi A4 – A5 – A6 – A7 – A8 Audi Q7 Porsche Cayenne 3.0 Porsche Panamera 3.0 Volkswagen Touareg 3.0
		0445117076	0986435413	AUDI 059130277EJ PORSCHE 95811012811 VOLKSWAGEN 059130277EJ VOLKSWAGEN 95811012811	
PEF67	F00VX20067	0445116041	0986435437	VMMOTORI 35062005F	
PEF68	F00VX40068	0445116043 0445116073	0986435423	JAGUAR 02JDE36716 JAGUAR JDED36716 LANDROVER LR022335 LANDROVER LR056366 ROVER LR022335 PEUGEOT 9887454480	Jaguar XF Land Rover Discovery Land Rover Freelander RangeRover Evoque 2.2
PEF75	F00VX40075	0445117026 0445117027	0986435453	AUDI 059130277CH VOLKSWAGEN 059130277CH VOLKSWAGEN 059130277EK	Audi A4 – A5 – A6 – A7 – A8 Audi Q5 Volkswagen Tuareg 3.0
		0445117075		AUDIO 59130277EK PORSCHE 95811012841 VOLKSWAGEN 059130277EK VOLKSWAGEN 95811012841	
PEF79	F00VX30079(0)	0445117030	0986435425	BMW 13537823461 BMW 13537823462	BMW 125d - 325d - 425d 525d - 640d - X1 - X3 - X4 - X5 - X6
PEF80	F00VX40080	0445116066 0445116050	0986435448	FORD CH2Q9K556AB JAGUAR 02C2D53044 JAGUAR C2D53044 LANDROVER LR069236 ROVER LR069236	Land Rover Discovery Land Rover Range Rover

OEM CODES AND PARTS NUMBERS ARE GIVEN FOR REFERENCE PURPOSE ONLY



FIRAD®

LET THE FUTURE COME



FIRAD code	BOSCH® Stamping	BOSCH® Injector Code	BOSCH® Inj. Remanufactured Code	OE code	Vehicle/ Engine
PEF115	F00VX40115	0445117040 0445117043	0986435433	FORD FC3Q9K546AA FORD FC3Z9H529B FORD FC3Z9H529A	Ford F250/350/550/650/750
PEF118	F00VX40118	0445117041 0445117042 0445117083 0445117084 0445117067	0986435441	AUDI 059130277CR VOLKSWAGEN 059130277CR VOLKSWAGEN 059130277ED	A5 3.0 TDI
PEF120	F00VX40120	0445117044 0445117069	0986435455	AUDI 059130277CT VOLKSWAGEN 059130277CT VOLKSWAGEN 059130277EE	Audi A6 – A7 -SQ5
PEF125	F00VX40125	0445118022 0445118036		BMW 13538514151 BMW 13538514151-05 BMW 8514151 BMW 8514151-05	BMW 125d - 325d - 425d 525d - 640d - X1 - X3 - X4 - X5 - X6
PEF126	F00VX40126	0445117047 0445117048		MERCEDES 6540700187 MERCEDES A6540700187	MERCEDES A-B-C-CLS- GLA- E Sprinter - Vito

OEM CODES AND PARTS NUMBERS ARE GIVEN FOR REFERENCE PURPOSE ONLY

Bosch piezoelectric nozzle geometric features

FIRAD code	BOSCH® Stamping	Engine angle	Spray angle	Holes
PEF02R	F00VX30002	0°	150°	6 x 0,140
PEF05AW	F00VX30005	0°	158°	7 x 0,145
PEF07	F00VX30007	0°	159°30'	6 x 0,155
PEF10	F00VX20010	0°	157°	8 x 0,130
PEF14	F00VX40014	24°	165°	7 x 0,140
PEF17	F00VX20017	0°	158°	7 x 0,140
PEF20	F00VX30020	0°	157°	7 x 0,120
PEF22	F00VX30022	0°	158°	7 x 0,145
PEF23	F00VX40023 (0)	0°	158°	8 x 0,135
PEF26	F00VX30026	0°	159°	7 x 0,140
PEF29	F00VX40029	0°	162°	8 x 0,120
PEF30	F00VX40030	0°	158°	8 x 0,125
PEF31	F00VX40031	0°	163°	8 x 0,115
PEF39	F00VX40039	0°	158°	8 x 0,120
PEF41	F00VX30041	0°	160°	7 x 0,140
PEF42	F00VX40042 (0)	0°	154°	8 x 0,125
PEF43	F00VX40043	0°	157°	8 x 0,130
PEF45	F00VX40045	0°	158°	7 x 0,135
PEF51	F00VX40051	0°	160°	8 x 0,130
PEF54	F00VX20054 (0)	0°	138°	8 x 01,40
PEF55	F00VX40055 (0)	0°	158°	7 x 0,145
PEF60	F00VX40060	0°	150°	8 x 0,145
PEF61	F00VX40061	0°	156°	8 x 0,135
PEF63	F00VX30063 (0)	0°	155°	8 x 0,115
PEF65	F00VX40065 (0)	0°	158°	8 x 0,115
PEF66	F00VX40066 (0)	0°	158°	8 x 0,105
PEF67	F00VX20067	0°	145°	7 x 0,145
PEF68	F00VX40068	0°	152°	8 x 0,125
PEF75	F00VX40075	0°	158°	8 x 0,125
PEF79	F00VX40079 (0)	0°	157°	7 x 0,145
PEF80	F00VX40080	0°	154°	8 x 0,105
PEF115	F00VX40115	0°	150°	8 x 0,140

OEM CODES AND PARTS NUMBERS ARE GIVEN FOR REFERENCE PURPOSE ONLY

FIRAD code	BOSCH® Stamping	Engine angle	Spray angle	Holes
PEF118	F00VX40118	0°	159°	8 x 0,115
PEF120	F00VX40120	0°	157°	8 x 0,130
PEF125	F00VX40125	0°	159°	7 x 0,135
PEF126	F00VX40126	0°	151°	8 x 0,120

OEM CODES AND PARTS NUMBERS ARE GIVEN FOR REFERENCE PURPOSE ONLY