

IT'S BLUE  
IT'S GREEN  
IT'S FIRAD

Release 09 | 2024



**FIRAD**<sup>®</sup>

DENSO  
INJECTOR  
CATALOGUE

**OEM CODES AND PARTS NUMBERS ARE  
GIVEN FOR REFERENCE PURPOSE ONLY**

OEM CODES AND PARTS NUMBERS ARE GIVEN FOR REFERENCE PURPOSE ONLY



## ABBREVIATIONS

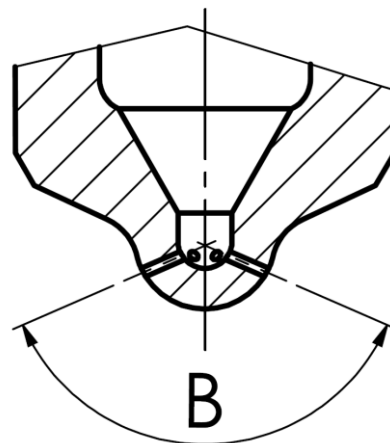
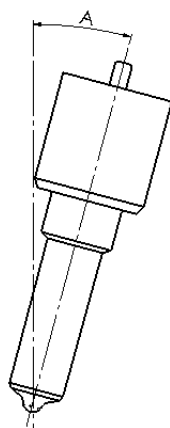
### - Holes

In this section are reported the information about how many micro holes there are and their diameter, in this following way: <N.microholes> x <Diameter microholes>

### - Angles

In this section are reported the information related to nozzle and micro holes angular position

Engine Angle	Spray Angle
A	B



OEM CODES AND PARTS NUMBERS ARE GIVEN FOR REFERENCE PURPOSE ONLY



## Denso nozzle (1<sup>st</sup> and 2<sup>nd</sup> Generation)

FIRAD code	DENSO® Stamping	DENSO® Injector Code	DENSO® New injector code	DENSO® P/N	OE code	Vehicle/ Engine
ALLA 125 P 889-J	DLLA 125 P 889	095000-6480		093400-8890	John Deere RE 529149 John Deere RE546776 John Deere RE528407 John Deere SE501947 ALLIANT POWER AP51800 ALLIANT POWER AP51900	John Deere 9.0
ALLA 127 P 944-J	DLLA 127 P 944	095000-6310		093400-9440	John Deere RE546784 John Deere RE531209 John Deere RE530362 John Deere SE501925 ALLIANT POWER AP52802 ALLIANT POWER AP52902	John Deere 4.5 John Deere 6.8
ALLA 127 P 945-J	DLLA 127 P 945	095000-6320		093400-9450	John Deere RE546783 John Deere RE531210 John Deere RE530361 John Deere SE50192 ALLIANT POWER AP52803 ALLIANT POWER AP52903	John Deere 4.5 John Deere 6.8
ALLA 127 P 1098-J	DLLA 127 P 1098	095000-6310		093400-9441	John Deere RE546784 John Deere RE531209 John Deere RE530362 John Deere SE501925 ALLIANT POWER AP52802 ALLIANT POWER AP52902	John Deere 4.5 John Deere 6.8
ALLA 129 P 890-J	DLLA 129 P 890	095000-6470		093400-8900	John Deere RE546777 John Deere RE528408 John Deere RE529151 John Deere SE501948 ALLIANT POWER AP51802 ALLIANT POWER AP51902	John Deere 9.0
ALLA 129 P 983-J	DLLA 129 P 983	095000-6880		093400-9830	John Deere RE546780 John Deere RE533454 John Deere RE532216 John Deere SE501934	John Deere 4.5 John Deere 6.8

OEM CODES AND PARTS NUMBERS ARE GIVEN FOR REFERENCE PURPOSE ONLY

FIRAD code	DENSO® Stamping	DENSO® Injector Code	DENSO® New injector code	DENSO® P/N	OE code	Vehicle/ Engine
					ALLIANT POWER AP52804 ALLIANT POWER AP52904	
ALLA 133 P 814-J	DLLA 133 P 814	095000-5050		093400-8140	John Deere RE507860 John Deere RE516540 John Deere RE519730 John Deere SE501924 ALLIANT POWER AP52800 ALLIANT POWER AP52900	John Deere 4.5 John Deere 6.8
ALLA 133 P 888-J	DLLA 133 P 888	095000-6460		093400-8880		John Deere Skidder 8.1 L
ALLA 138 P 934-J	DLLA 138 P 934	095000-6280		093400-9340		
ALLA 139 P 851-J	DLLA 139 P 851	095000-5480		093400-8510		John Deere 4045H Series 6820
ALLA 139 P 887-J	DLLA 139 P 887	095000-6490		093400-8870	John Deere RE529118 John Deere RE546781 John Deere RE524382 John Deere SE501926 ALLIANT POWER AP52801 ALLIANT POWER AP52901	John Deere D 7430 Engine 6068HL482 John Deere 4.5 John Deere 6.8
ALLA 139 P 925-J	DLLA 139 P 925	095000-6500		093400-9250	John Deere RE529414 John Deere RE529117 John Deere RE546782 John Deere SE501927 ALLIANT POWER AP52806 ALLIANT POWER AP52906	John Deere Series 30 John Deere 6501
ALLA 142 P 793-J	DLLA 142 P 793	095000-0801		093400-7930		ISUZU – 6SD1 Engine ver. Hong Kong
ALLA 142 P 852-J	DLLA 142 P 852	095000-1210		093400-8520		
ALLA 143 P 761-J	DLLA 143 P 761	095000-0562		093400-7610		ISUZU – 4HK1/6HK1 Engines
ALLA 144 P 690-J	DLLA 144 P 690	095000-0145		093400-6900		ISUZU -4HK1/6HK1 Engines
ALLA 145 P 684-J	DLLA 145 P 684			093400-6840		
ALLA 145 P 748-J	DLLA 145 P 748			093400-7480		
ALLA 145 P 864-J	DLLA 145 P 864	095000-5930	DCRI107760	093400-8640	TOYOTA 23670-09060 TOYOTA 23670-09061 TOYOTA 23670-09360 TOYOTA 23670-0L010 TOYOTA 23670-0L070 TOYOTA 23670-30240 TOYOTA 23670-30300	TOYOTA VIGO TOYOTA HILUX 2.5 2KD TOYOTA HIACE

OEM CODES AND PARTS NUMBERS ARE GIVEN FOR REFERENCE PURPOSE ONLY

FIRAD code	DENSO® Stamping	DENSO® Injector Code	DENSO® New injector code	DENSO® P/N	OE code	Vehicle/ Engine
					TOYOTA 23670-39235 TOYOTA 23670-39275 TOYOTA 23670-39276	
ALLA 145 P 870-J	DLLA 145 P 870	095000-5600	DCRI105600	093400-8700	MITSUBISHI 1465A041	MITSUBISHI L 200 MITSUBISHI TRITON MITSUBISHI PAJERO
ALLA 145 P 875-J	DLLA 145 P 875	095000-5760		093400-8750		MITSUBISHI PAJERO MITSUBISHI TRITON L200
ALLA 145 P 1024-J	DLLA 145 P 1024	095000-5931 095000-7760		093400-0240 093400-1024		TOYOTA HILUX 2.5 D-4D
ALLA 145 P 1031-J	DLLA 145 P 1031	095000-7500	DCRI107500	093400-1031	MITSUBISHI 1465A279	MITSUBISHI PAJERO
ALLA 145 P 1049-J	DLLA 145 P 1049	095000-8010 095000-8011		093400-1049	SINO VG1246080051	SINOTRUK HOWO A7
ALLA 145 P 1091-J	DLLA 145 P 1091			093400-1091		
ALLA 146 P 768-J	DLLA 146 P 768			093400-7680		
ALLA 147 P 747-J	DLLA 147 P 747	095000-0570	DCRI100570	093400-7470	TOYOTA 23670-27010 TOYOTA 23670-27030 TOYOTA 23670-29015 TOYOTA 23670-29035 TOYOTA 23670-29036	TOYOTA AVENSIS TOYOTA RAV 4 TOYOTA PREVIA
ALLA 147 P 962-J	DLLA 147 P 962	095000-7011		093400-9620		
ALLA 148 P 763-J	DLLA 148 P 763	095000-0540		093400-7630	John Deere RE524369 John Deere SE501941 ALLIANT POWER AP50804 ALLIANT POWER AP50904	John Deere 8.1
ALLA 148 P 764-J	DLLA 148 P 764	095000-0551 095000-0550		093400-7640	John Deere RE501010 John Deere RE524368 John Deere SE501940	John Deere 8.1
ALLA 148 P 765-J	DLLA 148 P 765	095000-0510	DCRI100510	093400-7650	NISSAN 16600-8H800	NISSANX-TRIAL 2.2
ALLA 148 P 800-J	DLLA 148 P 800			093400-8000		NISSAN PRIMERA
ALLA 148 P 816-J	DLLA 148 P 816	095000-5130		093400-8160		NISSAN XTRAIL
ALLA 148 P 817-J	DLLA 148 P 817	095000-5084		093400-8170		OPEL ASTRA 1.7 CDTI
ALLA 148 P 820-J	DLLA 148 P 820	095000-5160		093400-8200	John Deere SE501937 John Deere RE524362 John Deere RE518725 John Deere RE504181 ALLIANT POWER AP50803 ALLIANT POWER AP50903	John Deere 8.1
ALLA 148 P 826-J	DLLA 148 P 826	095000-5190		093400-8260		John Deere Series 8220
ALLA 148 P 828-J	DLLA 148 P 828	095000-5230		093400-8280	John Deere RE524360 John Deere SE501935	John Deere 8.1

OEM CODES AND PARTS NUMBERS ARE GIVEN FOR REFERENCE PURPOSE ONLY





# FIRAD®

## LET THE FUTURE COME



FIRAD code	DENSO® Stamping	DENSO® Injector Code	DENSO® New injector code	DENSO® P/N	OE code	Vehicle/ Engine
					ALLIANT POWER AP50802 ALLIANT POWER AP50902	
<b>ALLA 148 P 872-J</b>	DLLA 148 P 872	095000-5650	DCRI105650	093400-8720	NISSAN 16600-EB300 NISSAN 16600-EB30E	NISSAN NAVARA NISSAN PATHFINDER NISSAN PICK UP
<b>ALLA 148 P 915-J</b>	DLLA 148 P 915	095000-6070		093400-9150		
<b>ALLA 148 P 924-J</b>	DLLA 148 P 924	095000-6130	DCRI106130	093400-9240	ISUZU 8-97376270-0 ISUZU 8-97376270-1 ISUZU 8-97376270-2 ISUZU 8-97376270-3 ISUZU 8-97376270-4 ISUZU 8-97376270-5 ISUZU 8-97376270-6 ISUZU 8-97376270-7 ISUZU 8-97376270-8 ISUZU 8-97376270-9 OPEL 5821102 VAUXHALL 97376270	OPEL ASTRA OPEL CORSA OPEL MERIVA OPEL ZAFIRA VAUXHALL ASTRA VAUXHALL CORSA VAUXHALL MERIVA VAUXHALL ZAFIRA
<b>ALLA 148 P 932-J</b>	DLLA 148 P 932	095000-6240 095000-624002D	DCRI106240	093400-9320	NISSAN 16600-MB40A NISSAN 16600-MB40E NISSAN 16600-VM00D	NISSAN CABSTAR NISSAN CV CABSTAR NISSAN FRONTIER
<b>ALLA 149 P 786-J</b>	DLLA 149 P 786	095000-0761		093400-7860		KOMATSU (6156-11-330)
<b>ALLA 149 P 1036-J</b>	DLLA 149 P 1036	095000-7560 095000-5150		093400-1036	RE524361 RE518726 SE501936	John Deere 8.1
<b>ALLA 150 P 24-J</b>	DLLA 150 P 24			093400-5240		
<b>ALLA 150 P 59-J</b>	DLLA 150 P 59			093400-5590		
<b>ALLA 150 P 61-J</b>	DLLA 150 P 61			093400-5610		
<b>ALLA 150 P 815-J</b>	DLLA 150 P 815	095000-7580	DCRI107580	093400-8150	TOYOTA 23670-09030 TOYOTA 23670-09031 TOYOTA 23670-09220 TOYOTA 23670-09250 TOYOTA 23670-0G010 TOYOTA 23670-0G020 TOYOTA 23670-0G030 TOYOTA 23670-0G040	TOYOTA AVENSIS VERSO 2.0
<b>ALLA 150 P 835-J</b>	DLLA 150 P 835	095000-5214		093400-8350		ISUZU 6WG1 Engine HITACHI
<b>ALLA 150 P 866-J</b>	DLLA 150 P 866	095000-5550		093400-8660		HYUNDAI mighty county
<b>ALLA 150 P 914-J</b>	DLLA 150 P 914	095000-5951		093400-9140		
<b>ALLA 150 P 927-J</b>	DLLA 150 P 927	095000-6222 095000-5940		093400-9270		
<b>ALLA 150 P 966-J</b>	DLLA 150 P 966	095000-6770		093400-6770		
<b>ALLA 150 P 991-J</b>	DLLA 150 P 991	095000-7172		093400-9910		

OEM CODES AND PARTS NUMBERS ARE GIVEN FOR REFERENCE PURPOSE ONLY

FIRAD code	DENSO® Stamping	DENSO® Injector Code	DENSO® New injector code	DENSO® P/N	OE code	Vehicle/ Engine
ALLA 150 P 1052-J	DLLA 150 P 1052	095000-8100		093400-1052		
ALLA 150 P 1059-J	DLLA 150 P 1059	095000-8310		093400-1059		HYUNDAI mighty county
ALLA 150 P 1113-J	DLLA 150 P 1113	095000-9690		093400-1113		
ALLA 151 P 771-J	DLLA 151 P 771	095000-0722		093400-7710		ISUZU NISSAN
ALLA 152 P 69-J	DLLA 152 P 69			093400-5690		
ALLA 152 P 798-J	DLLA 152 P 798	095000-5014		093400-7980		ISUZU 4HJ1 Engine NISSAN E13C Engine
ALLA 152 P 805-J	DLLA 152 P 805	095000-5030	DCRI107850	093400-8050	MAZDA RF5C 13 H50 MAZDA RF5C 13 H50A MAZDA RF5C 13 H50B MAZDA RFY0 13 H50C MAZDA RFY0 13 H50 MAZDA RFY0 13 H50A MAZDA RFY0 13 H50B	MAZDA 5/6 2.0 MAZDA MPV II
ALLA 152 P 862-J	DLLA 152 P 862	095000-6100	DCRI106980	093400-8620	ISUZU 095000-6983 ISUZU 8-98011604-0 ISUZU 8-98011604-1 ISUZU 8-98011604-2 ISUZU 8-98011604-3 ISUZU 8-98011604-4 ISUZU 8-98011604-5 ISUZU 8-98011604-6 ISUZU 8-98011604-7 ISUZU 8-98011604-8 ISUZU 8-98011604-9 ISUZU 8-98055862-3	ISUZU DMAX / KB
ALLA 152 P 865-J	DLLA 152 P 865	095000-5510		093400-8650		HINO (E13C Engine)
ALLA 152 P 879-J	DLLA 152 P 879	095000-6693		093400-8790		
ALLA 152 P 929-J	DLLA 152 P 929	095000-6303		093400-9290		
ALLA 152 P 947-J	DLLA 152 P 947	095000-6250 095000-625002D	DCRI106250	093400-9470	NISSAN 16600-EB700 NISSAN 16600-EB70D NISSAN 16600-EC00A NISSAN 16600-EC00C NISSAN 16600-EC00E	NISSAN NAVARA NISSAN NAVARA NISSAN NP300 NISSAN PATHFINDER NISSAN PICK UP
ALLA 152 P 980-J	DLLA 152 P 980	095000-6980	DCRI106980	093400-9800	ISUZU 095000-6983 ISUZU 8-98011604-0 ISUZU 8-98011604-1 ISUZU 8-98011604-2 ISUZU 8-98011604-3 ISUZU 8-98011604-4 ISUZU 8-98011604-5 ISUZU 8-98011604-6 ISUZU 8-98011604-7 ISUZU 8-98011604-8	ISUZU D-MAX I ISUZU KB ISUZU ELF 300

OEM CODES AND PARTS NUMBERS ARE GIVEN FOR REFERENCE PURPOSE ONLY



FIRAD code	DENSO® Stamping	DENSO® Injector Code	DENSO® New injector code	DENSO® P/N	OE code	Vehicle/ Engine
					ISUZU 8-98011604-9 ISUZU 8-98055862-3	
ALLA 152 P 981-J	DLLA 152 P 981	095000-6993		093400-9810		
ALLA 152 P 989-J	DLLA 152 P 989			093400-9890		
ALLA 150 P 1040-J	DLLA 152 P 1040	095000-8370	DCRI108370	093400-1040	ISUZU 8-98119228-0 ISUZU 8-98119228-1 ISUZU 8-98119228-2 ISUZU 8-98119228-3	Isuzu D-Max
ALLA 152 P 1072-J	DLLA 152 P 1072	095000-8340		093400-1072	ISUZU 8-98106693-2	
ALLA 152 P 1097-J	DLLA 152 P 1097			093400-1097		
ALLA 153 P 884-J	DLLA 153 P 884	095000-5800	DCRI105800	093400-8840	CITROEN/PEUGEOT 1980.J7 FIAT 71724128 FIAT 71794621 FORD 1372379 FORD 1378432 FORD 1812618 FORD 6C1Q-9K546-AB FORD 6C1Q-9K546-AC FORD RM6C1Q-9K546-AC	CITROËN JUMPER FIAT DUCATO FORD TRANSIT FORD TRANSIT 2.2 Tourneo PEUGEOT BOXER
ALLA 153 P 885-J	DLLA 153 P 885	095000-7060	DCRI107060	093400-8850	FORD 1495919 FORD 1545621 FORD 6C1Q-9K546-BB FORD 6C1Q-9K546-BC FORD RM6C1Q-9K546-BC LAND ROVER LR006803 LAND ROVER LR010137	FORD TRANSIT FORD TRANSIT Tourneo LAND ROVER DEFENDER
ALLA 153 P 958-J	DLLA 153 P 958	095000-6630		093400-9580		
ALLA 154 P 90-J	DLLA 154 P 90			093400-5900		
ALLA 154 P 669-J	DLLA 154 P 669			093400-6690		ISUZU
ALLA 154 P 881-J	DLLA 154 P 881	095000-6290		093400-8810		
ALLA 155 P 16-J	DLLA 155 P 16			093400-5160	TOYOTA 23620-56010	
ALLA 155 P 84-J	DLLA 155 P 84			093400-5840		
ALLA 155 P 683-J	DLLA 155 P 683			093400-6830		
ALLA 155 P 750-J	DLLA 155 P 750					
ALLA 155 P 753-J	DLLA 155 P 753	095000-0750	DCRI100750	093400-7530	TOYOTA 23670-30020 TOYOTA 23670-39025 TOYOTA 23670-39026	TOYOTA LAND CRUISER
ALLA 155 P 767-J	DLLA 155 P 767	095000-0582		093400-7670		
ALLA 155 P 818-J	DLLA 155 P 818					
ALLA 155 P 840-J	DLLA 155 P 840			093400-8400		

OEM CODES AND PARTS NUMBERS ARE GIVEN FOR REFERENCE PURPOSE ONLY

FIRAD code	DENSO® Stamping	DENSO® Injector Code	DENSO® New injector code	DENSO® P/N	OE code	Vehicle/ Engine
ALLA 155 P 842-J	DLLA 155 P 842	095000-6591 095000-6593		093400-8420		Hino (Motor J08E)
ALLA 155 P 848-J	DLLA 155 P 848	095000-6350 095000-6353		093400-8480		ISUZU
ALLA 155 P 856-J	DLLA 155 P 856	095000-6603		093400-8560		
ALLA 155 P 863-J	DLLA 155 P 863	095000-5921		093400-8630		TOYOTA HILUX 3.0
ALLA 155 P 876-J	DLLA 155 P 876	095000-6040	DCRI107640		TOYOTA 23670-09140 TOYOTA 23670-09210 TOYOTA 23670-09290 TOYOTA 23670-0R020 TOYOTA 23670-0R070 TOYOTA 23670-0R120 TOYOTA 23670-0R170	TOYOTA COROLLA Verso TOYOTA RAV 4 III
ALLA 155 P 880-J	DLLA 155 P 880	095000-7030	DCRI107780	093400-8800	TOYOTA 23670-09070 TOYOTA 23670-09330 TOYOTA 23670-0L020 TOYOTA 23670-0L050 TOYOTA 23670-30140 TOYOTA 23670-30280 TOYOTA 23670-39185 TOYOTA 23670-39186 TOYOTA 23670-39215 TOYOTA 23670-39216 TOYOTA 23670-39316	TOYOTA HILUX III TOYOTA LAND CRUISER TOYOTA PRADO
ALLA 155 P 935-J	DLLA 155 P 935	095000-6380		093400-9350		
ALLA 155 P 936-J	DLLA 155 P 936	095000-6390		093400-9360		
ALLA 155 P 939-J	DLLA 155 P 939	095000-7670	DCRI107670	093400-9390	TOYOTA 23670-09180 TOYOTA 23670-09240 TOYOTA 23670-09280 TOYOTA 23670-0R030 TOYOTA 23670-0R140 TOYOTA 23670-0R190	TOYOTA AURIS TOYOTA AVENSIS TOYOTA COROLLA TOYOTA VERSO
ALLA 155 P 941-J	DLLA 155 P 941	095000-6510		093400-9410		
ALLA 155 P 960-J	DLLA 155 P 960	095000-7690 095000-6680 095000-6970 095000-7320 095000-7330 095000-7680	DCRI107690	093400-9600	TOYOTA 23670-0R050 TOYOTA 23670-09270 TOYOTA 23670-09190 TOYOTA 23670-09230 TOYOTA 23670-0R130 TOYOTA 23670-0R180	
ALLA 155 P 965-J	DLLA 155 P 965	095000-6700		093400-9650		Sinotruck Howo
ALLA 155 P 970-J	DLLA 155 P 970	095000-7530 095000-7700 095000-9780 095000-6730	DCRI109780	093400-9700	TOYOTA 23670-51020 TOYOTA 23670-51031 TOYOTA 23670-59025 TOYOTA 23670-59035 TOYOTA 23670-59037	

OEM CODES AND PARTS NUMBERS ARE GIVEN FOR REFERENCE PURPOSE ONLY

FIRAD code	DENSO® Stamping	DENSO® Injector Code	DENSO® New injector code	DENSO® P/N	OE code	Vehicle/ Engine
ALLA 155 P 971-J	DLLA 155 P 971	095000-8061 095000-7180		093400-9710		
ALLA 155 P 985-J	DLLA 155 P 985	095000-5890	DCRI107730	093400-9850	TOYOTA 23670-30080 TOYOTA 23670-30180 TOYOTA 23670-30210 TOYOTA 23670-30320 TOYOTA 23670-39135 TOYOTA 23670-39136 TOYOTA 23670-39155 TOYOTA 23670-39156 TOYOTA 23670-39295 TOYOTA 23670-39296	TOYOTA LAND CRUISER TOYOTA PRADO
ALLA 155 P 1025-J	DLLA 155 P 1025	095000-7781		093400-1025		
ALLA 155 P 1030-J	DLLA 155 P 1030			093400-1030		
ALLA 155 P 1044-J	DLLA 155 P 1044	095000-6520		093400-1044		
ALLA 155 P 1062-J	DLLA 155 P 1062	095000-8290	DCRI107780	093400-1062	TOYOTA 23670-09070 TOYOTA 23670-09330 TOYOTA 23670-0L020 TOYOTA 23670-0L050 TOYOTA 23670-30140 TOYOTA 23670-30280 TOYOTA 23670-39185 TOYOTA 23670-39186 TOYOTA 23670-39215 TOYOTA 23670-39216 TOYOTA 23670-39316	TOYOTA HILUX TOYOTA LAND CRUISER TOYOTA PRADO
ALLA 155 P 1090-J	DLLA 155 P 1090			093400-1090		HOWO SINOTRUCK
ALLA 156 P 799-J	DLLA 156 P 799	095000-5004		093400-7990		ISUZU 6WG1 Engine HITACHI
ALLA 156 P 845-J	DLLA 156 P 845	095000-5360		093400-8450		
ALLA 156 P 846-J	DLLA 156 P 846	095000-5350		093400-8460		
ALLA 156 P 910-J	DLLA 156 P 910			093400-9100		
ALLA 157 P 855-J	DLLA 157 P 855	095000-5450		093400-8550		
ALLA 157 P 969-J	DLLA 157 P 969	095000-8621		093400-9690		
ALLA 158 P 834-J	DLLA 158 P 834	095000-5226		093400-8340		Hino (Motor P13C)
ALLA 158 P 844-J	DLLA 158 P 844	095000-5342		093400-8440		HINO
ALLA 158 P 854-J	DLLA 158 P 854	095000-5471 095000-5474		093400-8540		ISUZU 6HK1 ISUZU 4HK1 Sinotruck 230/350/450 Hitachi
ALLA 158 P 909-J	DLLA 158 P 909	095000-5972		093400-9090		
ALLA 158 P 984-J	DLLA 158 P 984	095000-637X		093400-9840		
ALLA 158 P 1092-J	DLLA 158 P 1092	095000-5344		093400-1062		

OEM CODES AND PARTS NUMBERS ARE GIVEN FOR REFERENCE PURPOSE ONLY



FIRAD code	DENSO® Stamping	DENSO® Injector Code	DENSO® New injector code	DENSO® P/N	OE code	Vehicle/ Engine
ALLA 158 P 1096-J	DLLA 158 P 1096	095000-8901		093400-1096		ISUZU VOLVO SERIES 7
ALLA 160 P 3-J	DLLA 160 P 3			093400-5030		
ALLA 160 P 50-J	DLLA 160 P 50			093400-5500		

## Denso nozzle 3<sup>rd</sup> Generation

### (Needle Ø 3,50 mm)

FIRAD code	DENSO® Stamping	DENSO® Injector Code	DENSO® New injector code	DENSO® P/N	OE code	Vehicle/ Engine
ALLA 129 G3S17	G3S17	295050-0610			John Deere RE543605 John Deere RE543352 John Deere SE502556	
ALLA 133 G3S19	G3S19	095000-0590			John Deere RE545562 John Deere RE543351 John Deere SE502671 ALLIANT POWER AP52807 ALLIANT POWER AP52907	John Deere 4.5L, 6.8L, 8.1L, 9.0L Engine
ALLA 134 G3S18	G3S18	295050-0600			John Deere RE543606 John Deere RE543354 John Deere SE502557	
ALLA 144 G3S32	G3S32	295050-0560 295050-0740	DCRI300560		mitsubishi 1465A351	MITSUBISHI PAJERO Classic MITSUBISHI PAJERO IV
ALLA 144 G3S33	G3S33	295050-0810	DCRI300810		TOYOTA 23670-09380 TOYOTA 23670-OL110	TOYOTA HILUX 2.5 2KD
ALLA 145 G3S45	G3S45	295050-0890				MITSUBISHI L200
ALLA 145 G3S50	G3S50	095000-0960 295050-0960			166005-5x30A	TOYOTA VIGO GM Pick-up S10
ALLA 146 G3S53	G3S53	529 6723				CUMMINS
ALLA 146 G3S11	G3S11	095000-0260				HIMO 500
ALLA 146 G3S53	G3S53	529 6723				CUMMINS
ALLA 146 G3S112	G3S112	534 4766		9729505-220X		CUMMINS
ALLA 146 G3S115	G3S115					
ALLA 148 G3S77	G3S77	295050-1760			1465A439	PERKINS Engine TRITON MITSUBISHI L200

OEM CODES AND PARTS NUMBERS ARE GIVEN FOR REFERENCE PURPOSE ONLY

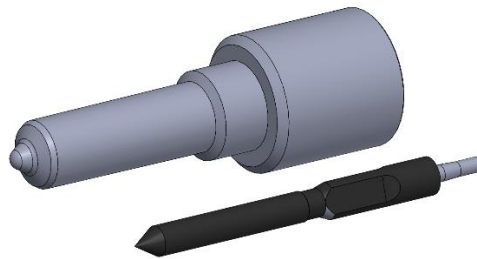
ALLA 150 G3S7	G3S7	295050-0190 295050-0530	DCRI300470		TOYOTA 23670-09340 TOYOTA 23670-0L100 TOYOTA 23670-30410 TOYOTA 23670-39355	TOYOTA HILUX III
ALLA 151 G3S10	G3S10	295050-0300	DCRI300300		NISSAN 16600-1AT0A NISSAN 16600-5X00A	NISSAN MURANO NISSAN NAVARA NISSAN NAVARA NISSAN NP300 NISSAN PATHFINDER NISSAN PICK UP
ALLA 151 G3S79	G3S79	295050-1590			Toyota 23670-E0590	ISUZU Truck
ALLA 151 G3S93	G3S93	295050-1550 295050-2900				ISUZU Truck
ALLA 152 G3S14	G3S14	095000-0323			ALLIANT POWER AP53908	
ALLA 152 G3S37	G3S37	095000-0470			TOYOTA 23670-0L100 TOYOTA 23670-30410 TOYOTA 23670-09340	TOYOTA Hilux 3.0
ALLA 152 G3S51	G3S51				166005x30A	NISSAN FRONTIER Sel 2.5
ALLA 152 G3S56	G3S56	528 4016				CUMMINS
ALLA 152 G3S82	G3S82	11200-E1ECO D720112010 E1EC011610 01T01693				CUMMINS Engine
ALLA 152 G3S92	G3S92	295050-1540 8-98246751-0				ISUZU
ALLA 153 G3S41	G3S41	295050-0760			Toyota 23670-E9260	HINO N04C enigne
ALLA 153 G3S48	G3S48	295050-0930				ISUZU Truck
ALLA 153 G3S103	G3S103					
ALLA 153 G3S120	G3S120	536 5904				CUMMINS
ALLA 153 G3S127	G3S127	536 7913				CUMMINS
ALLA 153 G3S155	G3S155					
ALLA 154 G3S6	G3S6	295050-0460 095050-052X	DCRI300460		TOYOTA 23670-30400 TOYOTA 23670-39365	TOYOTA HILUX 3.0 4WD TOYOTA LAND CRUISER TOYOTA PRADO
ALLA 154 G3S43	G3S43	295050-0770	DCRI300770		OPEL 55570012 VAUXHALL 821035 VAUXHALL 95521531 GM 55596708	OPEL ASTRA OPEL MERIVA OPEL MOKKA OPEL ZAFIRA VAUXHALL ZAFIRA CHEVROLET CRUZE CHEVROLET EQUINOX GMC TERRAIN
ALLA 154 G3S47	G3S47	295050-1900 295050-0910 8-98260109-0 8-98159583-1				ISUZU DMAX
ALLA 154 G3S99	G3S99	295050-1450 295050-2870 8-98259287-0				ISUZU Truck

OEM CODES AND PARTS NUMBERS ARE GIVEN FOR REFERENCE PURPOSE ONLY



ALLA 158 G3S91	G3S91	295050-1520 8-98243863-0			15208630 11T01106	ISUZU Truck
----------------	-------	-----------------------------	--	--	----------------------	-------------

## Denso piezoelectric nozzle 2nd Generation



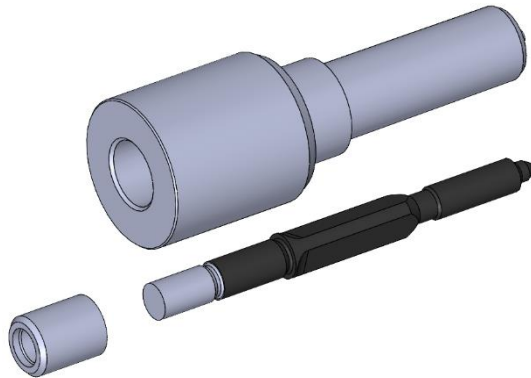
FIRAD code	DENSO® Stamping	DENSO® Injector Code	DENSO® New injector code	DENSO® P/N	OE code	Vehicle/ Engine
ALLA 154 G2P1	G2P1	295900-0010				
ALLA 156 G2P3	G2P3	295900-0110 295000-0110	DCRI200110		TOYOTA 23670-0R040 TOYOTA 23670-0R041 TOYOTA 23670-26011 TOYOTA 23670-26020 TOYOTA 23670-26020-2 TOYOTA 23670-29055 TOYOTA 23670-29105	LEXUS IS II TOYOTA AURIS (E15) TOYOTA AVENSIS TOYOTA AVENSIS TOYOTA COROLLA TOYOTA RAV 4 III TOYOTA RAV 4 IV TOYOTA VERSO

OEM CODES AND PARTS NUMBERS ARE GIVEN FOR REFERENCE PURPOSE ONLY

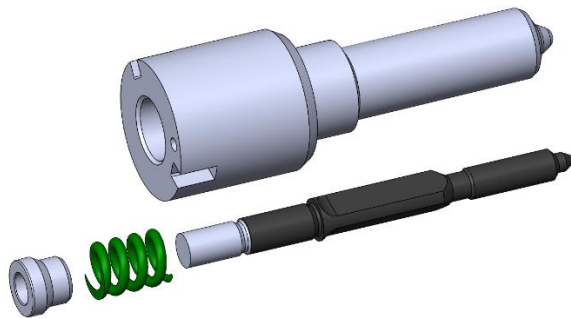




## Denso piezoelectric nozzle 3<sup>rd</sup> Generation



FIRAD code	DENSO® Stamping	DENSO® Injector Code	DENSO® New injector code	DENSO® P/N	OE code	Vehicle/ Engine
KGCF1	GCF1	095000-1020				SINOCMP Engine



FIRAD code	DENSO® Stamping	DENSO® Injector Code	DENSO® New injector code	DENSO® P/N	OE code	Vehicle/ Engine
KG3P004	G3P004	295900-0170 295900-0420	DCRI200420		LEXUS 23670-26061 LEXUS 23670-29125 LEXUS 23670-29126 TOYOTA 23670-0R090 TOYOTA 23670-0R091 TOYOTA 23670-26060	TOYOTA AVENSIS TOYOTA RAV 4 III TOYOTA RAV 4 IV TOYOTA VERSO
KG3P005	G3P005	295900-0180 295900-0430	DCRI200430		TOYOTA 23670-0R100 TOYOTA 23670-0R101 TOYOTA 23670-26070 TOYOTA 23670-26071	TOYOTA AURIS TOYOTA AVENSIS TOYOTA COROLLA TOYOTA RAV 4 IV

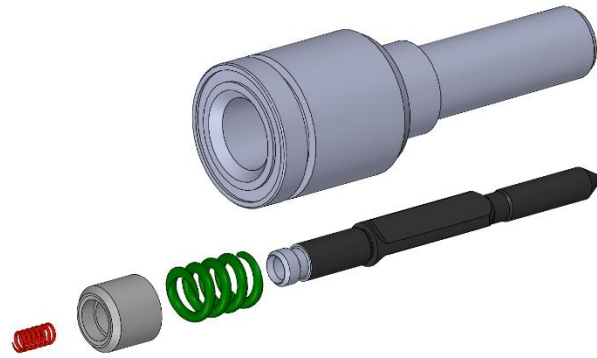
OEM CODES AND PARTS NUMBERS ARE GIVEN FOR REFERENCE PURPOSE ONLY

					TOYOTA 23670-29115 TOYOTA 23670-29116	TOYOTA VERSO
<b>KG3P008</b>	G3P008		DCRI200280		TOYOTA 23670-30450 TOYOTA 23670-30455	TOYOTA HILUX
<b>KG3P012</b>	G3P012	29500-0270			TOYOTA 23670-30270	TOYOTA HILUX
<b>KG3P016</b>	G3P016	295900-0420	DCRI200420		LEXUS 23670-26061 LEXUS 23670-29125 LEXUS 23670-29126 TOYOTA 23670-0R090 TOYOTA 23670-0R091 TOYOTA 23670-26060	TOYOTA AVENSIS TOYOTA RAV 4 III TOYOTA RAV 4 IV
<b>KG3P017</b>	G3P017	295900-0430	DCRI200430		TOYOTA 23670-0R100 TOYOTA 23670-0R101 TOYOTA 23670-26070 TOYOTA 23670-26071 TOYOTA 23670-29115 TOYOTA 23670-29116	TOYOTA AURIS TOYOTA AVENSIS TOYOTA COROLLA TOYOTA VERSO
<b>KG3P020</b>	G3P020	295900-0480	DCRI200480		TOYOTA 23670-51060 TOYOTA 23670-59045 LEXUS 23670-51060 LEXUS 23670-59045	TOYOTA LANDCRUISER TOYOTA LX

OEM CODES AND PARTS NUMBERS ARE GIVEN FOR REFERENCE PURPOSE ONLY



## Denso nozzle 4<sup>th</sup> Generation



FIRAD code	DENSO® Stamping	DENSO® Injector Code	DENSO® New injector code	DENSO® P/N	OE code	Vehicle/ Engine
KG4S008	G4S008	295700-0560			TOYOTA 23670-0E020	TOYOTA HILUX REVO
KG4S009	G4S009	295700-0550			TOYOTA 23670-0E010	TOYOTA HILUX
KG4S011	G4S011	295700-0140			HYUNDAI 33800-4A900	
KG4S012	G4S012				MAZDA S550-13H50	MAZDA CX 5 MAZDA 6
KG4S016	G4S016	295700-0101			1 J508-53053	
KG4S023	G4S023				GM 12678992	
KG4S039	G4S039	295700-0820			HYUNDAI 33800-4C930 HYUNDAI 33800-4C940	
KG4S054	G4S054				898399-6180	TOYOTA HILUX
KG4S070	G4S070				TOYOTA 23670-0E060	
KG4S073	G4S073				TOYOTA 23670-52010 TOYOTA 23670-59065	TOYOTA LANDCRUISER

OEM CODES AND PARTS NUMBERS ARE GIVEN FOR REFERENCE PURPOSE ONLY



## Denso nozzle (1<sup>st</sup> and 2<sup>nd</sup> Generation) geometric features

FIRAD code	DENSO® Stamping	Engine angle	Spray angle	Holes	Needle diameter
ALLA 125 P 889-J	DLLA 125 P 889	0°	125°	6 x 0,200	<b>4,00</b>
ALLA 127 P 944-J	DLLA 127 P 944	14°	127°	5 x 0,180	<b>4,00</b>
ALLA 127 P 945-J	DLLA 127 P 945	14°	127°	5 x 0,155	<b>4,00</b>
ALLA 127 P 1098-J	DLLA 127 P 1098	14°	127°	5 x 0,190	<b>4,00</b>
ALLA 129 P 890-J	DLLA 129 P 890	0°	129°	6 x 0,185	<b>4,00</b>
ALLA 129 P 983-J	DLLA 129 P 983	0°	129°	6 x 0,190	<b>4,00</b>
ALLA 133 P 814-J	DLLA 133 P 814	0°	133°	6 x 0,175	<b>4,00</b>
ALLA 133 P 888-J	DLLA 133 P 888	0°	133°	5 x 0,185	<b>4,00</b>
ALLA 138 P 934-J	DLLA 138 P 934	0°	138°	6 x 0,305	<b>4,00</b>
ALLA 139 P 851-J	DLLA 139 P 851	0°	139°	6 x 0,175	<b>4,00</b>
ALLA 139 P 887-J	DLLA 139 P 887	0°	139°	6 x 0,170	<b>4,00</b>
ALLA 139 P 925-J	DLLA 139 P 925	0°	139°	6 x 0,165	<b>4,00</b>
ALLA 142 P 793-J	DLLA 142 P 793	0°	142°	6 x 0,225	<b>4,00</b>
ALLA 142 P 852-J	DLLA 142 P 852	0°	142°	6 x 0,245	<b>4,00</b>
ALLA 143 P 761-J	DLLA 143 P 761	0°	143°	6 x 0,280	<b>4,00</b>
ALLA 144 P 690-J	DLLA 144 P 690	0°	144°	7 x 0,160	<b>4,00</b>
ALLA 145 P 684-J	DLLA 145 P 684	0°	145°	6 x 0,195	<b>4,00</b>
ALLA 145 P 748-J	DLLA 145 P 748	0°	145°	6 x 0,215	<b>4,00</b>
ALLA 145 P 864-J	DLLA 145 P 864	0°	145°	6 x 0,145	<b>4,00</b>
ALLA 145 P 870-J	DLLA 145 P 870	0°	145°	6 x 0,150	<b>4,00</b>
ALLA 145 P 875-J	DLLA 145 P 875	0°	145°	6 x 0,160	<b>4,00</b>
ALLA 145 P 1024-J	DLLA 145 P 1024	0°	145°	6 x 0,140	<b>4,00</b>
ALLA 145 P 1031-J	DLLA 145 P 1031	0°	145°	7 x 0,155	<b>4,00</b>
ALLA 145 P 1049-J	DLLA 145 P 1049	0°	145°	8 x 0,210	<b>4,00</b>
ALLA 145 P 1091-J	DLLA 145 P 1091	0°	145°	8 x 0,190	<b>4,00</b>
ALLA 146 P 768-J	DLLA 146 P 768	15°	146°	6 x 0,1875	<b>4,00</b>
ALLA 147 P 747-J	DLLA 147 P 747	0°	147°	6 x 0,135	<b>4,00</b>
ALLA 147 P 962-J	DLLA 147 P 962	0°	147°	8 x 0,110	<b>4,00</b>
ALLA 148 P 763-J	DLLA 148 P 763-J	0°	148°	8 x 0,185	<b>4,00</b>
ALLA 148 P 764-J	DLLA 148 P 764	0°	148°	7 x 0,200	<b>4,00</b>
ALLA 148 P 765-J	DLLA 148 P 765	0°	148°	6 x 0,180	<b>4,00</b>
ALLA 148 P 800-J	DLLA 148 P 800	0°	148°	6 x 0,165	<b>4,00</b>

OEM CODES AND PARTS NUMBERS ARE GIVEN FOR REFERENCE PURPOSE ONLY



# FIRAD®

## LET THE FUTURE COME



FIRAD code	DENSO® Stamping	Engine angle	Spray angle	Holes	Needle diameter
ALLA 148 P 816-J	DLLA 148 P 816	0°	148°	7 x 0,150	4,00
ALLA 148 P 817-J	DLLA 148 P 817	0°	148°	6 x 0,120	4,00
ALLA 148 P 826-J	DLLA 148 P 826	0°	148°	7 x 0,160	4,00
ALLA 148 P 872-J	DLLA 148 P 872	0°	148°	8 x 0,155	4,00
ALLA 148 P 915-J	DLLA 148 P 915	0°	148°	6 x 0,225	4,00
ALLA 148 P 924-J	DLLA 148 P 924	0°	148°	7 x 0,125	4,00
ALLA 148 P 932-J	DLLA 148 P 932	0°	148°	8 x 0,125	4,00
ALLA 149 P 786-J	DLLA 149 P 786	18	149°	8 x 0155	4,00
ALLA 149 P 1036-J	DLLA 149 P 1036	3°30'	149°	7 x 0,190	4,00
ALLA 150 P 24-J	DLLA 150 P 24	15°	150°	5 x 0,250	4,00
ALLA 150 P 59-J	DLLA 150 P 59	19°	150°	4 x 0,300	4,00
ALLA 150 P 61-J	DLLA 150 P 61	15°	150°	4 x 0,280	4,00
ALLA 150 P 815-J	DLLA 150 P 815	0°	150°	6 x 0,115	4,00
ALLA 150 P 835-J	DLLA 150 P 835	0°	150°	6 x 0,200	4,00
ALLA 150 P 866-J	DLLA 150 P 866	16°	150°	6 x 0,170	4,00
ALLA 150 P 914-J	DLLA 150 P 914	12°	150°	6 x 0,170	4,00
ALLA 150 P 927-J	DLLA 150 P 927	0°	150°	8 x 0,170	4,00
ALLA 150 P 991-J	DLLA 150 P 991	0°	150°	6 x 0,225	4,00
ALLA 150 P 1052-J	DLLA 150 P 1052	12°	150°	8 x 0,190	4,00
ALLA 150 P 1059-J	DLLA 150 P 1059	16°	150°	6 x 0,170	4,00
ALLA 150 P 1113-J	DLLA 150 P 1113	0°	150°	6 x 0,150	4,00
ALLA 151 P 771-J	DLLA 151 P 771	0°	151°	5 x 0,215	4,00
ALLA 152 P 69-J	DLLA 152 P 69		152°	5 x 0,300	4,00
ALLA 152 P 798-J	DLLA 152 P 798	0°	152°	6 x 0,195	4,00
ALLA 152 P 805-J	DLLA 152 P 805	0°	152°	6 x 0,130	4,00
ALLA 152 P 862-J	DLLA 152 P 862	0°	152°	6 x 0,145	4,00
ALLA 152 P 865-J	DLLA 152 P 865	0°	152°	8 x 0,190	4,00
ALLA 152 P 879-J	DLLA 152 P 879	0°	152°	6 x 0,120	4,00
ALLA 152 P 929-J	DLLA 152 P 929	0°	152°	8 x 0,215	4,00
ALLA 152 P 947-J	DLLA 152 P 947	0°	152°	8 x 0,150	4,00
ALLA 152 P 980-J	DLLA 152 P 980	0°	152°	6 x 0,140	4,00
ALLA 152 P 981-J	DLLA 152 P 981	0°	152°	6 x 0,135	4,00
ALLA 152 P 989-J	DLLA 152 P 989	0°	152°	8 x 0,140	4,00
ALLA 152 P 1072-J	DLLA 152 P 1072	0°	152°	8 x 0,125	4,00
ALLA 152 P 1097-J	DLLA 152 P 1097	0°	152°	8 x 0,190	4,00
ALLA 153 P 884-J	DLLA 153 P 884	0°	153°	7 x 0,110	4,00

OEM CODES AND PARTS NUMBERS ARE GIVEN FOR REFERENCE PURPOSE ONLY

FIRAD code	DENSO® Stamping	Engine angle	Spray angle	Holes	Needle diameter
ALLA 153 P 885-J	DLLA 153 P 885	0°	153°	7 x 0,120	4,00
ALLA 153 P 958-J	DLLA 153 P 958	0°	153°	9 x 0,145	4,00
ALLA 155 P 1030-J	DLLA 155 P 1030	0°	153°	7 x 0,145	4,00
ALLA 155 P 1044-J	DLLA 155 P 1044	0°	155°	6 X 0,165	4,00
ALLA 154 P 669-J	DLLA 154 P 669	0°	154°	5 x 0,240	4,00
ALLA 154 P 881-J	DLLA 154 P 881	0°	154°	6 x 0,135	4,00
ALLA 155 P 16-J	DLLA 155 P 16	16°	155°	5 x 0,260	4,00
ALLA 155 P 84-J	DLLA 155 P 84	17°	155°	5 x 0,280	4,00
ALLA 155 P 683-J	DLLA 155 P 683	0°	155°	6 x 0,245	4,00
ALLA 155 P 753-J	DLLA 155 P 753	0°	155°	7 x 0,155	4,00
ALLA 155 P 767-J	DLLA 155 P 767	0°	155°	6 x 0,160	4,00
ALLA 155 P 818-J	DLLA 155 P 818	0°	155°	8 x 0,125	4,00
ALLA 155 P 840-J	DLLA 155 P 840	0°	155°	6 x 0,160	4,00
ALLA 155 P 842-J	DLLA 155 P 842	0°	155°	6 x 0,205	4,00
ALLA 155 P 848-J	DLLA 155 P 848	0°	155°	6 x 0,170	4,00
ALLA 155 P 856-J	DLLA 155 P 856	0°	155°	7 x 0,185	4,00
ALLA 155 P 863-J	DLLA 155 P 863	0°	155°	8 x 0,125	4,00
ALLA 155 P 876-J	DLLA 155 P 876	0°	155°	9 x 0,105	4,00
ALLA 155 P 880-J	DLLA 155 P 880	0°	155°	8 x 0,125	4,00
ALLA 155 P 939-J	DLLA 155 P 939	0°	155°	8 x 0,105	4,00
ALLA 155 P 941-J	DLLA 155 P 941	0°	155°	6 x 0,140	4,00
ALLA 155 P 960-J	DLLA 155 P 960	0°	153°30'	9 x 0,100	4,00
ALLA 155 P 965-J	DLLA 155 P 965	0°	155°	8 x 0,195	4,00
ALLA 155 P 970-J	DLLA 155 P 970	0°	155°	9 x 0,110	4,00
ALLA 155 P 971-J	DLLA 155 P 971	0°	155°	9 x 0,100	4,00
ALLA 155 P 985-J	DLLA 155 P 985	0°	155°	8 x 0,130	4,00
ALLA 155 P 1025-J	DLLA 155 P 1025	0°	155°	8 x 0,130	4,00
ALLA 155 P 1044-J	DLLA 155 P 1044	0°	155°	6 x 0,165	4,00
ALLA 155 P 1062-J	DLLA 155 P 1062	0°	155°	8 x 0,125	4,00
ALLA 155 P 1090-J	DLLA 155 P 1090	19°	155°	7 x 0,175	4,00
ALLA 156 P 799-J	DLLA 156 P 799	0°	156°	6 x 0,180	4,00
ALLA 156 P 910-J	DLLA 156 P 910	0°	156°	6 x 0,145	4,00
ALLA 157 P 855-J	DLLA 157 P 855	0°	157°	6 x 0,150	4,00
ALLA 157 P 969-J	DLLA 157 P 969	0°	157°	6 x 0,150	4,00
ALLA 158 P 834-J	DLLA 158 P 834	0°	158°	8 x 0,210	4,00
ALLA 158 P 844-J	DLLA 158 P 844	0°	158°	7 x 0,145	4,00

OEM CODES AND PARTS NUMBERS ARE GIVEN FOR REFERENCE PURPOSE ONLY



FIRAD code	DENSO® Stamping	Engine angle	Spray angle	Holes	Needle diameter
ALLA 158 P 854-J	DLLA 158 P 854	0°	158°	7 x 0,160	<b>4,00</b>
ALLA 158 P 909-J	DLLA 158 P 909	0°	158°	8 x 0,200	<b>4,00</b>
ALLA 158 P 984-J	DLLA 158 P 984	0°	158°	7 x 0,160	<b>4,00</b>
ALLA 158 P 1096-J	DLLA 158 P 1096	0°	158°	7 x 0,160	<b>4,00</b>
ALLA 158 P 1092-J	DLLA 158 P 1092	0°	158°	7 x 0,145	<b>4,00</b>
ALLA 160 P 3-J	DLLA 160 P 3	16°	160°	5 x 0,285	<b>4,00</b>
ALLA 160 P 50-J	DLLA 160 P 50	16°	160°	5 x 0,280	<b>4,00</b>

## Denso nozzle 3<sup>rd</sup> Generation geometric features (∅ 3,50 mm)

FIRAD code	DENSO® Stamping	Engine angle	Spray angle	Holes	Needle diameter
ALLA 129 G3S17	G3S17	0°	129°	6 x 0,175	<b>3,50</b>
ALLA 133 G3S19	G3S19	0°	133°	6 x 0,135	<b>3,50</b>
ALLA 134 G3S18	G3S18	0°	134°	6 x 0,155	<b>3,50</b>
ALLA 144 G3S32	G3S32	0°	144°	8 x 0,140	<b>3,50</b>
ALLA 144 G3S33	G3S33	0°	144°	6 x 0,140	<b>3,50</b>
ALLA 145 G3S45	G3S45	0°	145°	7 x 0,145	<b>3,50</b>
ALLA 145 G3S50	G3S50	0°	145°	7 X 0,145	<b>3,50</b>
ALLA 146 G3S11	G3S11	0°	146°	7 X 0,155	<b>3,50</b>
ALLA 146 G3S53	G3S53	0°	146°	8 x 0,140	<b>3,50</b>
ALLA 146 G3S112	G3S112	0°	146°	8 x 0,145	<b>3,50</b>
ALLA 148 G3S77	G3S77	0°	148°	8 x 0,125	<b>3,50</b>
ALLA 150 G3S7	G3S7	0°	150°	6 x 0,125	<b>3,50</b>
ALLA 151 G3S10	G3S10	0°	151°	8 x 0,150	<b>3,50</b>
ALLA 151 G3S79	G3S79	0°	151°	6 x 0,225	<b>3,50</b>
ALLA 151 G3S93	G3S93	0°	151°	8 x 0,210	<b>3,50</b>
ALLA 152 G3S37	G3S37	0°	152°	8 x 0,140	<b>3,50</b>
ALLA 152 G3S51	G3S51	0°	152°	8 x 0,160	<b>3,50</b>
ALLA 152 G3S56	G3S56	18°	152°	6 x 0,160	<b>3,50</b>
ALLA 152 G3S82	G3S82	0°	152°	8 x 0,140	<b>3,50</b>
ALLA 152 G3S92	G3S92	0°	152°	6 x 0,140	<b>3,50</b>

OEM CODES AND PARTS NUMBERS ARE GIVEN FOR REFERENCE PURPOSE ONLY



FIRAD code	DENSO® Stamping	Engine angle	Spray angle	Holes	Needle diameter
ALLA 153 G3S48	G3S48	0°	153°	7 x 0,120	<b>3,50</b>
ALLA 153 G3S41	G3S41	0°	153°	7 x 0,135	<b>3,50</b>
ALLA 153 G3S103	G3S103	0°	153°	8 x 0,135	<b>3,50</b>
ALLA 153 G3S120	G3S120	18°	153°	6 x 0,160	<b>3,50</b>
ALLA 153 G3S127	G3S127	18°	153°	7 x 0,165	<b>3,50</b>
ALLA 154 G3S6	G3S6	0°	154°	8 x 0,125	<b>3,50</b>
ALLA 154 G3S43	G3S43	0°	154°	8 x 0,110	<b>3,50</b>
ALLA 154 G3S47	G3S47	0°	154°	8 x 0,115	<b>3,50</b>
ALLA 154 G3S99	G3S99	0°	154°	8 x 0,190	<b>3,50</b>
ALLA 158 G3S91	G3S91	0°	158°	7 x 0,160	<b>3,50</b>

### Denso nozzle 4<sup>th</sup> Generation

FIRAD code	DENSO® Stamping	Engine angle	Spray angle	Holes	Needle diameter
//	G4S011	0°	150°	8 x 0,125	<b>4,00</b>
//	G4S016	0°	150°	7 x 0,135	<b>4,00</b>
//	G4S009	0°	155°	9 x 0,110	<b>4,00</b>
//	G4S023	0°	155°	8 x 0,130	<b>4,00</b>
//	G4S054	0°	155°	8 x 0,130	<b>4,00</b>
//	G4S008	0°	156°	8 x 0,100	<b>4,00</b>
//	G4S070	0°	158°	9 x 0,250	<b>4,00</b>
//	GCF1	0°	146°	8 x 0,140	<b>4,00</b>

### Denso piezoelectric nozzle 2<sup>nd</sup> Generation

FIRAD code	DENSO® Stamping	Engine angle	Spray angle	Holes	Needle diameter
ALLA 154 G2P1	G2P1	0°	154°	10 x 0,135	<b>4,00</b>
ALLA 156 G2P3	G2P3	0°	156°	10 x 0,130	<b>4,00</b>

OEM CODES AND PARTS NUMBERS ARE GIVEN FOR REFERENCE PURPOSE ONLY

## Denso piezoelectric nozzle 3<sup>rd</sup> Generation

FIRAD code	DENSO® Stamping	Engine angle	Spray angle	Holes	Needle diameter
//	G3P004	0°	152°	9 x 0,10	<b>4,00</b>
//	G3P012	0°	152°	10 x 0,120	<b>4,00</b>
//	G3P016	0°	152°	9 x 0,10	<b>4,00</b>
//	G3P005	0°	154°	9 x 0,09	<b>4,00</b>
//	G3P017	0°	154°	9 x 0,09	<b>4,00</b>
//	G3P020	0°	155°	8 x 0,105	<b>4,00</b>

OEM CODES AND PARTS NUMBERS ARE GIVEN FOR REFERENCE PURPOSE ONLY