

IT'S BLUE
IT'S GREEN
IT'S FIRAD

Release 10 | 2024



FIRAD[®]

CATERPILLAR
INJECTOR
CATALOGUE



FIRAD®

LET THE FUTURE COME



**OEM CODES AND PARTS NUMBERS ARE
GIVEN FOR REFERENCE PURPOSE ONLY**

OEM CODES AND PARTS NUMBERS ARE GIVEN FOR REFERENCE PURPOSE ONLY



ABBREVIATIONS

- Holes

In this section are reported the information about how many micro holes there are and their diameter, in this following way: <N.microholes> x <Diameter microholes>

- Angles

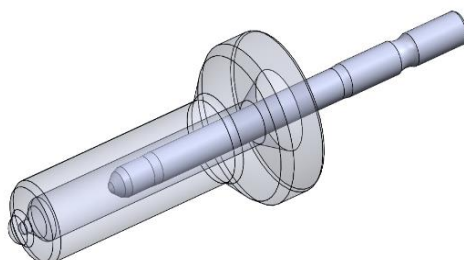
In this section are reported the information related to nozzle and micro holes angular position

Engine Angle	Spray Angle
A	B



OEM CODES AND PARTS NUMBERS ARE GIVEN FOR REFERENCE PURPOSE ONLY

HEUI Caterpillar Nozzles



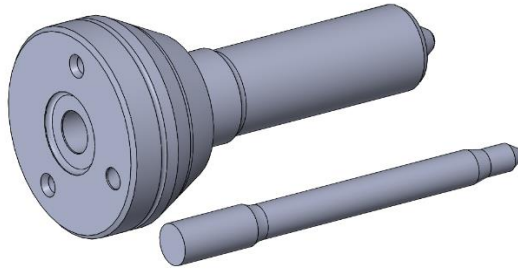
FIRAD code	Engine Angle	Spray Angle	CAT® Injector Part Number	Stamping	Engines	Holes
C800E	0°	129°	10R-7224=236-0962 235-2888	055T420553	C9	6 x 0,165
C800T	15°	132°	10R-4763=387-9428 10R-7225=387-9427 263-8218 20R-8066	015T396554 221F426554	C7	6 x 0,160
C800U	15°	132°	10R-4761=387-9430	315T426203	C7	6 x 0,140
C800V	0°	127°		099S423176		5 x 0,215
C800W	0°	127°	10R-7222=387-9433 10R-4764=387-9438 254-4339 20R-8064	330T418062	C7	5 x 0,210
			10R-7223=293-4073=387-9432 10R-7222=387-9433 10R-4764=387-9438	329T413176	C9	
C800X	0°	127°		264F413249		5 x 0,185
C800Z	0°	127°40'		123408062		5 x 0,225
C801G	15°	132°	10R-4762=387-9429	266F425162	C7	6 x 0,150
C803T	0°	125°30'	10R-4843	277F412160 337T392160		6 x 0,180
C803U	0°	126°	10R-9001	224T393249 228T393249		5 x 0,195
C803V	0°	126°	10R-4844			5 x 0,220

OEM CODES AND PARTS NUMBERS ARE GIVEN FOR REFERENCE PURPOSE ONLY



FIRAD®

LET THE FUTURE COME



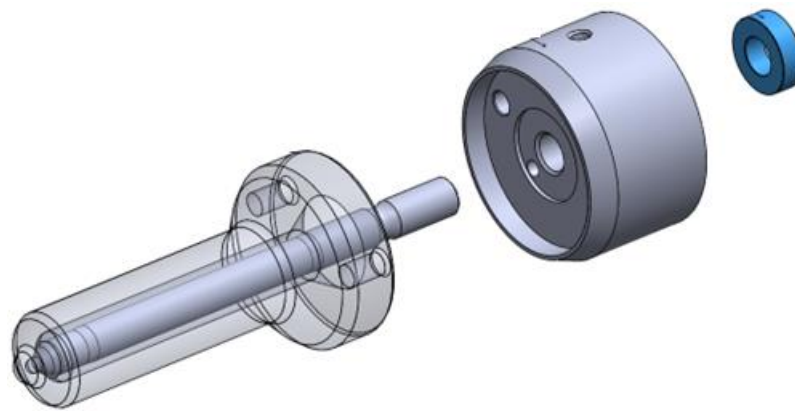
FIRAD code	Engine Angle	Spray Angle	OEM Part Number	CAT® Injector Part Number	CAT® Reman Injector Part Number	Engine	Holes
CN900A	0°	140°		174-7526 174-7527 232-1175	20R-0758	3408 3412	6 x 0,255
CN900B	16°30'	140°	DPE41026/ 32 (6-16)	141-7837 155-1819 169-7408 171-9704 171-9710 173-9272 173-9379 173-9380 188-1320 196-4229 222-5972 178-6342	OR-9350 OR-9348 10R-1257	3126A 3126B	6 x 0,165
CN900C	16°30'	140°	DPE41016/ 32 (6-17)	173-4059 173-4061 173-9267 173-9268 196-1401 222-5963 222-5967 177-4754 177-4752	OR-9349 10R-1262 10R-0782 10R-9237	3126A 3126B	6 x 0,175
CN900D	0°	130°		198-6877 204-2467	20R-4147	3408 3412	6 x 0,260
CN900E	16°30'	140°	(6-175)	222-5966	10R-0781	3126B	6 x 0,175
CN900G	0°	140°		174-7526	20R-0758	3408	6 x 0,250

OEM CODES AND PARTS NUMBERS ARE GIVEN FOR REFERENCE PURPOSE ONLY



				174-7527		3412	
CN900H	0°	140°		232-1170		3412	6 x 0,255

HEUI Caterpillar Nozzle kit



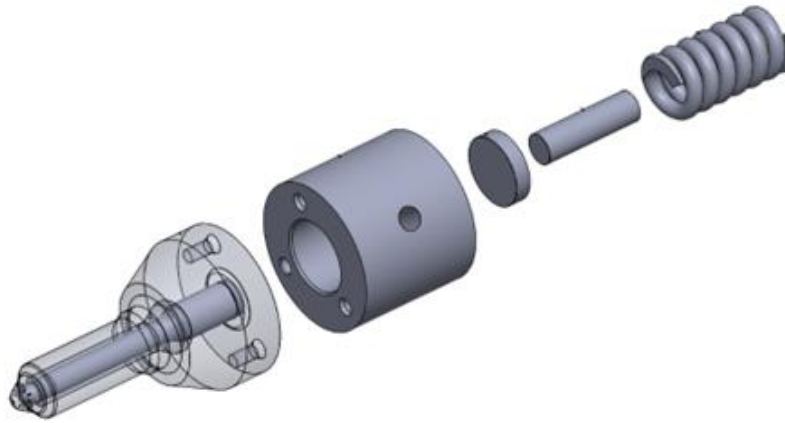
FIRAD code kit	Firad Nozzle	CAT® Injector Part Number	Engine
FD00800E	C800E	10R-7224=236-0962 235-2888	C9
FD00800T	C800T	10R-4763=387-9428 10R-7225=387-9427 263-8218	C7
FD00800U	C800U	10R-4761=387-9430	C7
FD00800W	C800W	10R-7222=387-9433 10R-4764=387-9438 254-4339	C7/C9
FD00801G	C801G	10R-4762=387-9429	C7

OEM CODES AND PARTS NUMBERS ARE GIVEN FOR REFERENCE PURPOSE ONLY



FIRAD®

LET THE FUTURE COME



FIRAD code	Firad Nozzle	OEM Part Number	CAT® Injector Part Number	CAT® Reman Injector Part Number	Engine
FD00900A	CN900A		174-7526 174-7527 232-1175	20R-0758	651E 657E
FD00900B	CN900B	DPE41026/32 (6-16)	141-7837 155-1819 169-7408 171-9704 171-9710 173-9272 173-9379 173-9380 188-1320 196-4229 222-5972 178-6342	0R-9350 0R-9348 10R-1257	3126E 3126B 3126
FD00900C	CN900C	DPE41016/32 (6-17)	173-4059 173-4061 173-9267 173-9268 196-1401 222-5963 222-5967 177-4754 177-4752	0R-9349 10R-1262 10R-0782 10R-9237	3126 3126E 3126B
FD00900D	CN900D		198-6877	20R-4147	3412E

OEM CODES AND PARTS NUMBERS ARE GIVEN FOR REFERENCE PURPOSE ONLY



FIRAD®

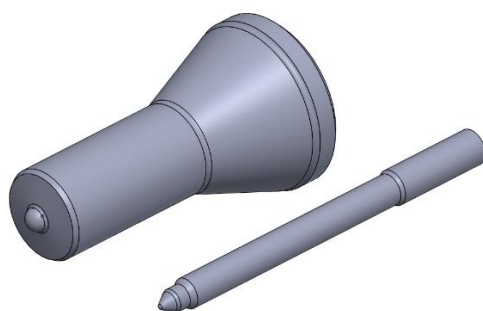
LET THE FUTURE COME



			204-2467		
FD00900E	CN900E	(6-175)	222-5966	10R-0781	3126E 3126B
FD00900G	CN900G		174-7526 174-7527	20R-0758	651E 657E
FD00900H	CN900H		232-1170		

OEM CODES AND PARTS NUMBERS ARE GIVEN FOR REFERENCE PURPOSE ONLY

EUI Caterpillar Nozzles (Needle Ø 3,64 – 3,83)



FIRAD code	Engine Angle	Spray Angle	CAT® Injector Part Number	Stamping	Engines	Holes
C800A	0°	130°			3406E	6 x 0,220
C800C	0°	160°	10R-1290=250-1311 20R-0849=392-0211 20R-1275=386-1766 392-0214	136F009455 229F400162	3516E	8 x 0,295
C800D	0°	160°	20R-0849=166-6006 20R-1270=148-5759		3516E	8 x 0,300
C800DA	0°	160°				
C800DB	0°	160°				
C800F	0°	130°			3516E	6 x 0,295
C800G	0°	130°	10R-2772=253-0618 CH11945(Perkins)		3406E 2806	6 x 0,275
C800GA	0°	130°				6 x 0,260
C800H	0°	160°			3516B/E 3500B 3508B 3512B	8 x 0,290
C800L	0°	156°		007T509455 006S509455	3516E	8 x 0,310
C800J	0°	130°	10R-3264=253-0615		3406E	6 x 0,225
C800Y	0°	130°	10R-8501=211-3023 10R-8501=191-3003		C15, C13 3406E	6 x 0,215

OEM CODES AND PARTS NUMBERS ARE GIVEN FOR REFERENCE PURPOSE ONLY



			10R-8501=0R-9257 10R-2781=118-9030 10R-2781=0R-4894		C16	
C800N	0°	132°		145T909108		6 x 0,160
C800P	0°	130°			18L	6 x 0,290
C800R	0°	150°		265F503538		10 x 0,255
C800S	0°	150°	250-1300 229-0169		3500	10 x 0,310
C801B	0°	148°	10R-0725=212-3464		C10 3176C	8 x 0,200
C801E	0°	130°	CH12082(Perkins)		C15 3176C C10	6 x 0,240
C801F	0°	132°	200-1117 CH12071(Perkins) 10R-8988=295-9085	257F709083	3406E	6 x 0,320
C801H	0°	130°	276-8307=10R-7231 CH10948(Perkins)		C18 C32	6 x 0,280
C801J	0°	140°	10R-0725=212-3464		C10 3176C	8 x 0,195
C801N	0°	127°		009T703484		6 x 0,220
C801P	0°	130°	20R-2285=374-0751	191T710635		6 x 0,195
C801R	0°	126°	20R-2284=374-0750 253-0615	152S703437 3437-N2	365C	6 x 0,225
C801S	0°	140°	20R-1266=386-1754 20R-1266=392-0202 20R-1279=392-0218 20R-1279=386-1770		3500B 3508B 3521B 3516B/E	7 x 0,305
C801T	0°	130°30'				6 x 0,300
C801U	0°	135°		194F007746		7 x 0,295
C801V	0°	131°	20R-0055=317-5278	323T709108		6 x 0,165
C802F	0°	147°	10R-0967	119F723412		6 x 0,165
C802G	0°	131°	10R-0955=211-3025	234T733665	C15	6 x 0,250
C802H	0°	124°	10R-1273=249-0709		C15	6 x 0,205
C802L	0°	130°	10R-2977=249-0708		C13	6 x 0,195

OEM CODES AND PARTS NUMBERS ARE GIVEN FOR REFERENCE PURPOSE ONLY



FIRAD®

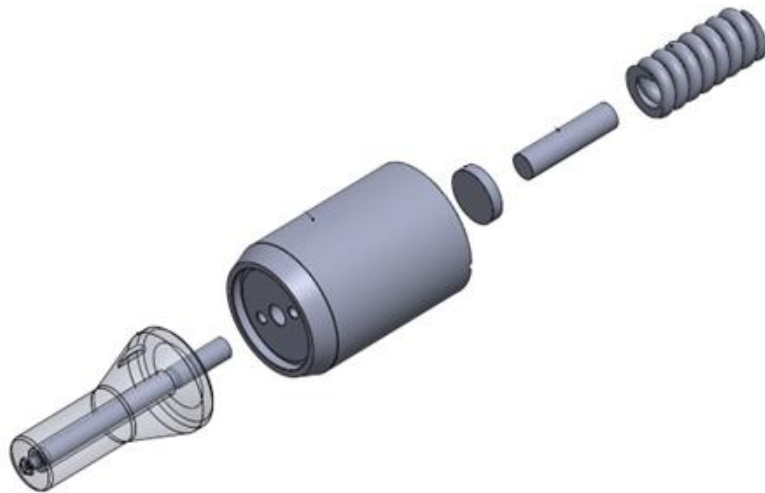
LET THE FUTURE COME

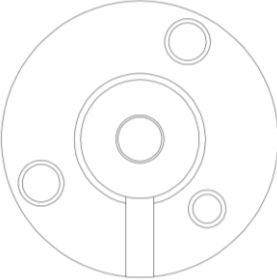



C802J	0°	125°	10R-1000=229-5919		C15	6 x 0,215
C802M	0°	130°	10R-0963=212-3463	053F803444	C10	6 x 0,180
C802N	0°	130°	10R-0956=211-3022		3406E	6 x 0,200
C802P	0°	130°	10R-0957=211-3023		3406E C15-C16	6 x 0,215
C802R	0°	131°	10R-0958=211-3024		3406E	6 x 0,230
C802S	0°	130°	10R-3262=249-0713		C13 C11	6 x 0,310
C802T	0°	125°		291F705909		6 x 0,270
C802V	0°	130°	211-3022 249-0713 10R-2782 10R-3262		C13 C11	6 x 0,225
C802W	0°	129°	350-7555=20R-0056	105T901245 208F701245	C12	6 x 0,180
C802X	0°	145°		215T377545		8 x 0,300
C803B	0°	136°		349S738803	C12	7 x 0,220
C803E	0°	125°30'	374-0751=20R-2285		C15 C18 C27	6 x 0,195
C803N	0°	151°	392-0200=20R-1264 386-1752		3512B 3508B 3516B	10 x 0,220
C803X	0°	130°	250-1301=10R-3256 392-0201=20R-1265 11R-0680	086F420170	3516B 3512B	10 x 0,205

OEM CODES AND PARTS NUMBERS ARE GIVEN FOR REFERENCE PURPOSE ONLY

EUI Caterpillar Nozzle kit (Needle Ø 3,64 – 3,83)



FIRAD code kit	Firad Nozzle	Bush bottom shape	CAT® Injector Part Number	Engine
FD150955	C802G		10R-0955=211-3025	C15
FD132977	C802L		10R-2977=249-0708	C13

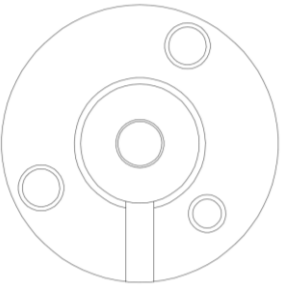

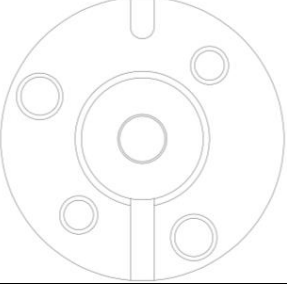
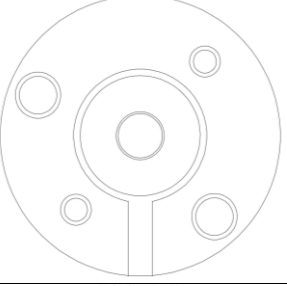

OEM CODES AND PARTS NUMBERS ARE GIVEN FOR REFERENCE PURPOSE ONLY



FIRAD®

LET THE FUTURE COME



FIRAD code kit	Firad Nozzle	Bush bottom shape	CAT® Injector Part Number	Engine
FD00800G	C800G		10R-2772=253-0618 CH11945(Perkins)	3406E 2806
FD00800C	C800C		10R-1290=250-1311 20R-0849=392-0211	3516E
FD00800J	C800J		10R-3264=253-0615	3406E
FD00802S	C802S		10R-3262=249-0713	C13 C11
FD00801P	C801P		20R-2285=374-0751	6015B

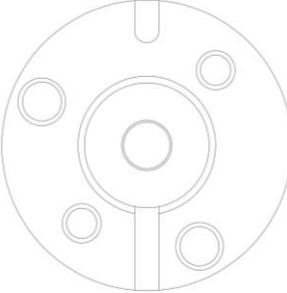

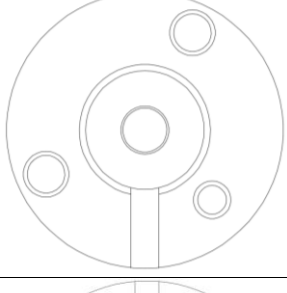
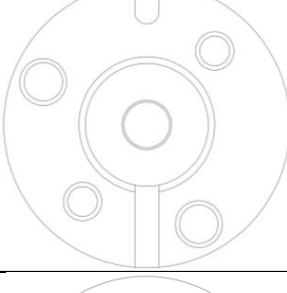
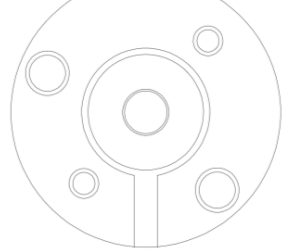
OEM CODES AND PARTS NUMBERS ARE GIVEN FOR REFERENCE PURPOSE ONLY



FIRAD®

LET THE FUTURE COME



FIRAD code kit	Firad Nozzle	Bush bottom shape	CAT® Injector Part Number	Engine
FD102772	C800G		10R-2772=253-0618 CH11945(Perkins)	C15 C18
FD00800D	C800D		20R-0849=166-6006	5230B 5130B
FD00801F	C801F		10R-8988=295-9085	C18 C32
FD00801R	C801R		20R-2284	3406E C15 C16
FD00800A	C800A			

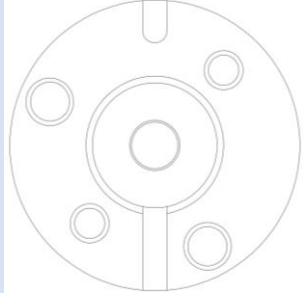

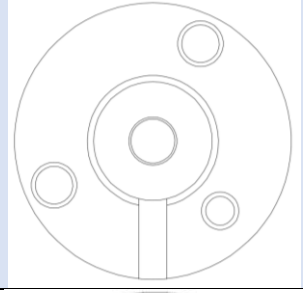
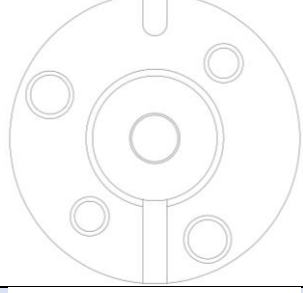
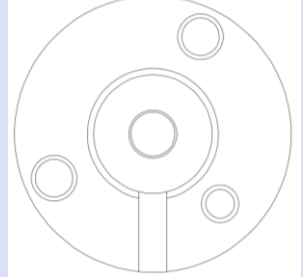
OEM CODES AND PARTS NUMBERS ARE GIVEN FOR REFERENCE PURPOSE ONLY



FIRAD®

LET THE FUTURE COME



FIRAD code kit	Firad Nozzle	Bush bottom shape	CAT® Injector Part Number	Engine
FD00801E	C801E		CH12082(Perkins)	C15 3176C C10
FD00802W	C802W		350-7555=20R-0056	C12
FD00803B	C803B		166-0149=0R-9530	C12
FD155919	C802J		10R-1000=229-5919	C15
FD00800Y	C800Y		10R-8501=211-3023	C15, C13 3406E C16


OEM CODES AND PARTS NUMBERS ARE GIVEN FOR REFERENCE PURPOSE ONLY



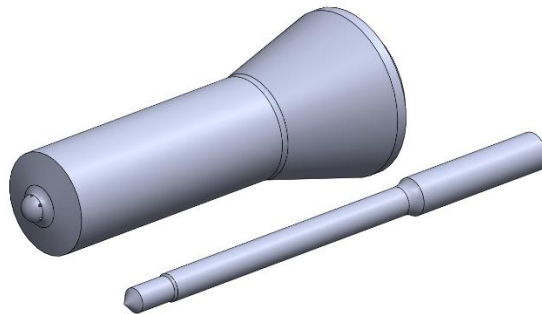
FIRAD®

LET THE FUTURE COME



FIRAD code kit	Firad Nozzle	Bush bottom shape	CAT® Injector Part Number	Engine
FD151273	C802H		10R-1273=249-0709	C15

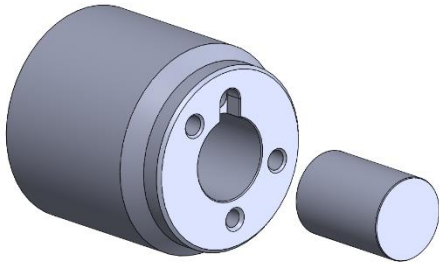
EUI Caterpillar Nozzles (Needle Ø 3,00)



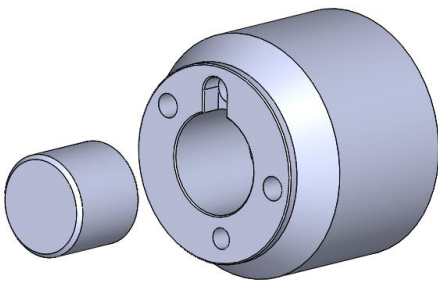
FIRAD code	Engine Angle	Spray Angle	CAT® Injector Part Number	Stamping	Engines	Holes
C800B	0°	137°			3116	6 x 0,225
C801A	0°	155°20'	0R-8475=127-8207	7E-0506	C15	6 x 0,220
C802U	0°	136°				6 x 0,155
C802Z	0°	135°	0R-8461=127-8222	4P-1733		6 x 0,190
C803L	0°	135°	0R-8682=127-8216	104-4632	3114E 3116E	6 x 0,170

OEM CODES AND PARTS NUMBERS ARE GIVEN FOR REFERENCE PURPOSE ONLY

Caterpillar plunger valve kits



FIRAD code	Engine
FDK00003	C7

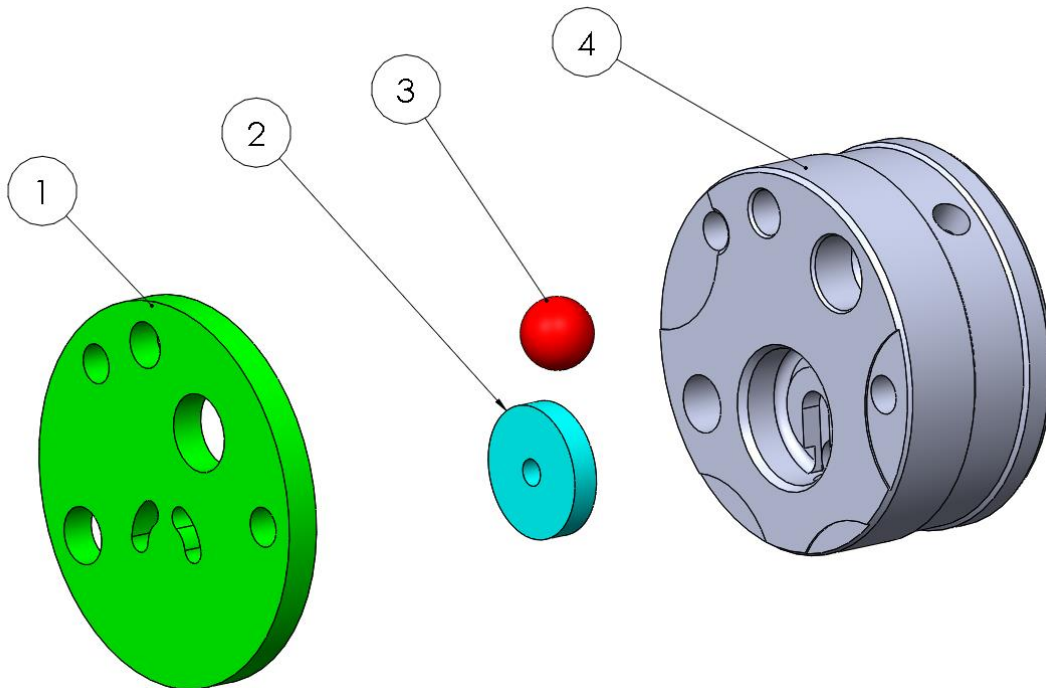


FIRAD code	Engine
FDK00002	C9

OEM CODES AND PARTS NUMBERS ARE GIVEN FOR REFERENCE PURPOSE ONLY



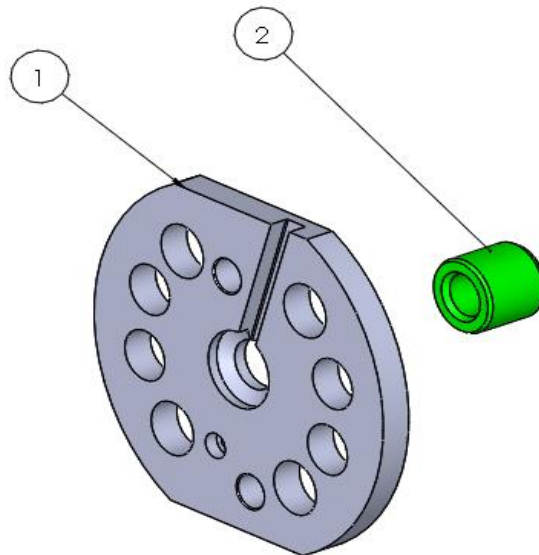
Caterpillar one way valve kits



FIRAD Code	N. Part	FIRAD code	Engine
FDK00001	1	MCSA002	C9
	2	MCSA004	
	3	MCBA001	
	4	MCSA001	
FDK00005	1	MCSA005	C7
	2	MCSA004	
	3	MCBA001	
	4	MCSA006	

OEM CODES AND PARTS NUMBERS ARE GIVEN FOR REFERENCE PURPOSE ONLY

Caterpillar exhaust valve kit



N. Part	FIRAD code
1	MCPL001
2	MCSS001

FIRAD code	Engine
FDK00004	C9

OEM CODES AND PARTS NUMBERS ARE GIVEN FOR REFERENCE PURPOSE ONLY

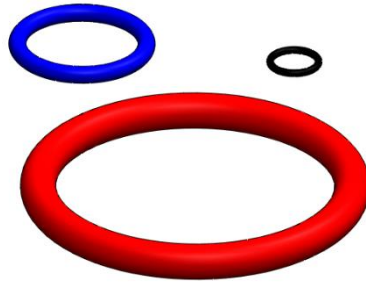


FIRAD®

LET THE FUTURE COME



External Seal Kit



FIRAD code	CAT® Injector Part Number	Engines
MCESK001	249-0713=10R-3262 253-0618=10R-2772 374-0751=20R-2285 20R-2284 276-8307=10R7231 295-9085=10R8988	3116
MCESK002	166-6006=20R-0849 148-5759=20R-1270	C15

OEM CODES AND PARTS NUMBERS ARE GIVEN FOR REFERENCE PURPOSE ONLY



FIRAD®

LET THE FUTURE COME



FIRAD code	Engines
MCESK003	C9



FIRAD code	Engines
MCESK004	C9

OEM CODES AND PARTS NUMBERS ARE GIVEN FOR REFERENCE PURPOSE ONLY



FIRAD®

LET THE FUTURE COME



CAT-C9-HEUI-INJ. INTERNAL KIT



FIRAD code	Engines
MCESK005	C9

COMPLETE KIT OEM STANDARD CAT C9-INJECTOR



FIRAD code	Engines
MCESK006	C9

OEM CODES AND PARTS NUMBERS ARE GIVEN FOR REFERENCE PURPOSE ONLY



FIRAD®

LET THE FUTURE COME



PARTS SET CAT3500-EUI



FIRAD code	Engines
MCESK007	3500

PARTS SET CAT3516E-EUI-INT

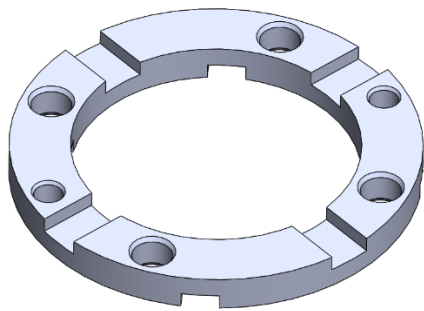


FIRAD code	Engines
MCESK008	3516

OEM CODES AND PARTS NUMBERS ARE GIVEN FOR REFERENCE PURPOSE ONLY



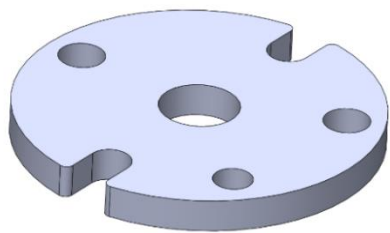
Caterpillar spare parts



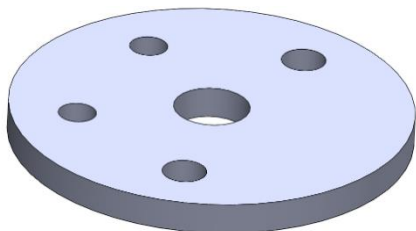
Solenoid spacer

FIRAD code	Thickness	Engine
MCSL001-288	2,88 mm	C9 – C7
MCSL001-290	2,90 mm	C9 – C7
MCSL001-292	2,92 mm	C9 – C7
MCSL001-294	2,94 mm	C9 – C7
MCSL001-296	2,96 mm	C9 – C7

Plate

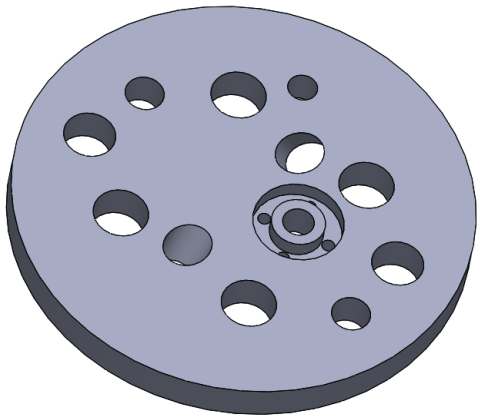


FIRAD code	Engine
MCSA003	C9



FIRAD code	Engine
MCSA007	C7

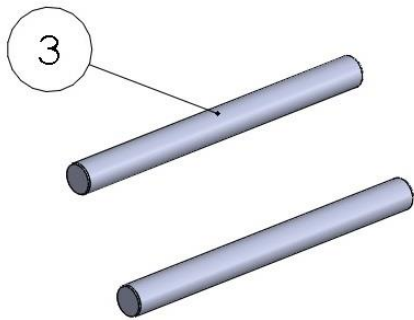
OEM CODES AND PARTS NUMBERS ARE GIVEN FOR REFERENCE PURPOSE ONLY



Hydraulic flow control plate

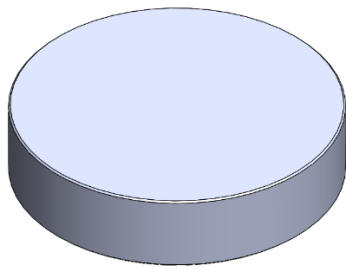
FIRAD code	Engine
MCPL002	C7

Caterpillar C7-C9 Nozzle reference pin



Description	FIRAD code
Nozzle Reference pin for C7-C9	MCCPN001

OEM CODES AND PARTS NUMBERS ARE GIVEN FOR REFERENCE PURPOSE ONLY



Outer diameter: 10 mm

Shim

FIRAD code	Thickness	Engine
MCSH001-210	2,10 mm	C13 - C15 - 3406E
MCSH001-215	2,15 mm	C13 - C15 - 3406E
MCSH001-220	2,20 mm	C13 - C15 - 3406E
MCSH001-225	2,25 mm	C13 - C15 - 3406E
MCSH001-230	2,30 mm	C13 - C15 - 3406E
MCSH001-235	2,35 mm	C13 - C15 - 3406E
MCSH001-240	2,40 mm	C13 - C15 - 3406E
MCSH001-245	2,45 mm	C13 - C15 - 3406E
MCSH001-250	2,50 mm	C13 - C15 - 3406E
MCSH001-255	2,55 mm	C13 - C15 - 3406E
MCSH001-260	2,60 mm	C13 - C15 - 3406E

OEM CODES AND PARTS NUMBERS ARE GIVEN FOR REFERENCE PURPOSE ONLY